



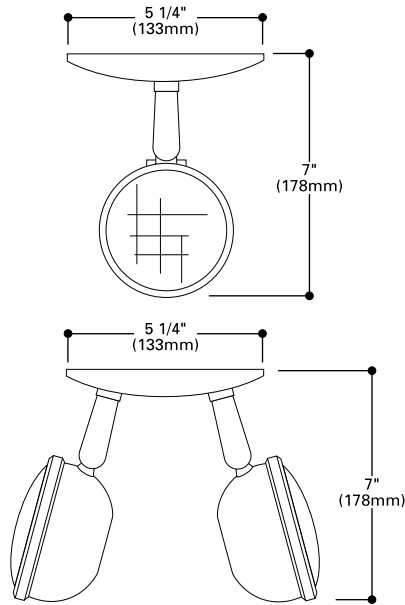
**RF Surface Heads**

**Surface Mount Head  
Less Battery  
All Metal  
Incandescent Lamps**

**EMERGENCY LIGHTING**

- All metal heads
- Choose single, double, or triple remote heads
- Double joint adjustable 359° swivel
- Brushed aluminum standard – other finishes available
- Mounts to standard 4" round junction box
- 6 or 12 volt wedge base incandescent lamp is standard (see lamp charts on page 42)

**DIMENSIONS**



**DESCRIPTION**

The RF Surface Heads Series provides remote heads (no battery) manufactured in an all metal housing. A highly polished reflector located behind the lamp provides abundant emergency light to the floor when connected to an emergency battery source. Several finishes and lamp styles are available.

**ORDERING INFORMATION**

Catalog No.	No. of Heads	Ship Wt.
RF401	1	2
RF402	2	4
RF403	3	6

Note: Maximum wattage per head is 50 watts. Please specify lamp when ordering.