

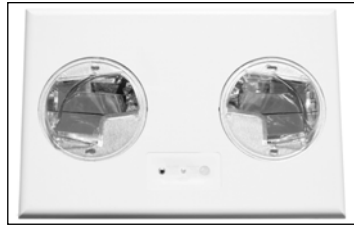
Type No. _____
 Job Name _____
 Catalog No. _____



Patent #6,969,181



Shown: **I1WSC** (Ceiling Version)



Shown: **I1WSC** (Wall Version)

Illusion

Architectural Fully Recessed Emergency Lighting

- **12 Volt, 72 Watts**
- **Sealed Lead Calcium Battery**
- **High-Performance, 35 Watt MR16 Lamps**

Housing

- Backbox constructed of 20 gauge galvanized steel. Flush cover and diffusers constructed of impact-resistant polycarbonate
- Available with choice of white or black housing colors
- Faceplate may be painted or wall-papered to match wall or ceiling decor
- Suitable for wall or ceiling mounting
- Wall mounted units can be fastened to wood or metal studs from either the left or right side
- Ceiling mounting is accomplished with optional grid ceiling bar hangers (ordered separately)

Battery

- Maintenance-free, sealed lead calcium battery has an expected service life of 5 to 7 years with an operating range of 65°F (19°C) to 85°F (30°C)*
- Battery supplies 90 minutes of emergency power

* Increases or decreases in temperature will affect battery performance and/or capacity. Optimum battery performance realized at 77°F (25°C).

Illumination

- Illumination is provided by two high performance 35 watt MR16 lamps combined with a patented reflector system
- When using multiple fixtures, ceiling mounted units will produce an average of one footcandle of egress lighting along a 6' x 90' foot linear path, while wall mounted units will produce an average of one footcandle of egress lighting along a 4' x 35' egress path
- Lamps remain hidden during emergency illumination

Warranty

Electronics: 3 years; Battery: 1 year full, 4 years pro-rata

Electrical Specifications

Input power requirements: .27 amps (120 VAC), .13 amps (277 VAC)

Code Compliance

- UL 924 listed for insulated ceiling systems (IC rating)
- NFPA 101, NEC, BOCA, OSHA, and IBC illumination standards
- Meets ADA specifications for wall mounted lighting fixtures

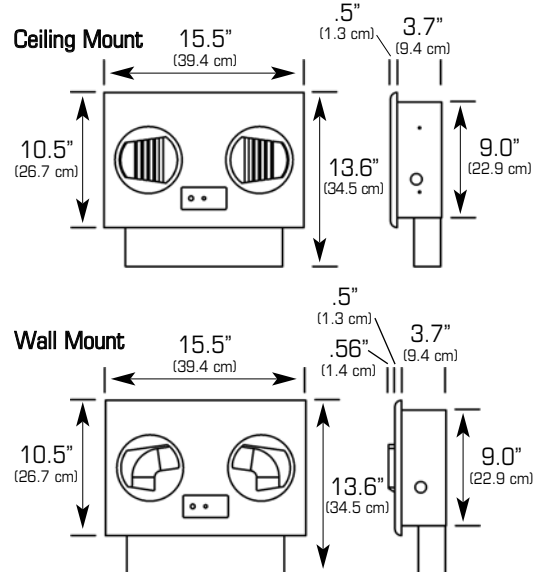
Smart Charger Electronics

- 120/277 VAC dual voltage input with surge protection standard
- Charging system is microprocessor driven with software embedded diagnostic routine and precision temperature compensation
- See specification sheet L2368 for technical specifications for the electronics
- Surge protection, brownout, AC lockout, and low voltage disconnect features are standard

Smart Charger Self-Testing Diagnostics (optional)

- The Smart Charger diagnostic/charging platform with self-testing mode automatically runs a one-minute self-test every 30 days and a 30-minute test on the sixth and twelfth month. A one-minute or 90-minute test may be initiated via the push to test switch on the unit or by activating the appropriate test command on the optional IR test device.

Dimensions



Dimensions are approximate and subject to change.

Cut-out dimensions are 14 3/4" x 9 1/4"

Illusion Architectural, Fully Recessed Emergency Lighting

Ordering Information

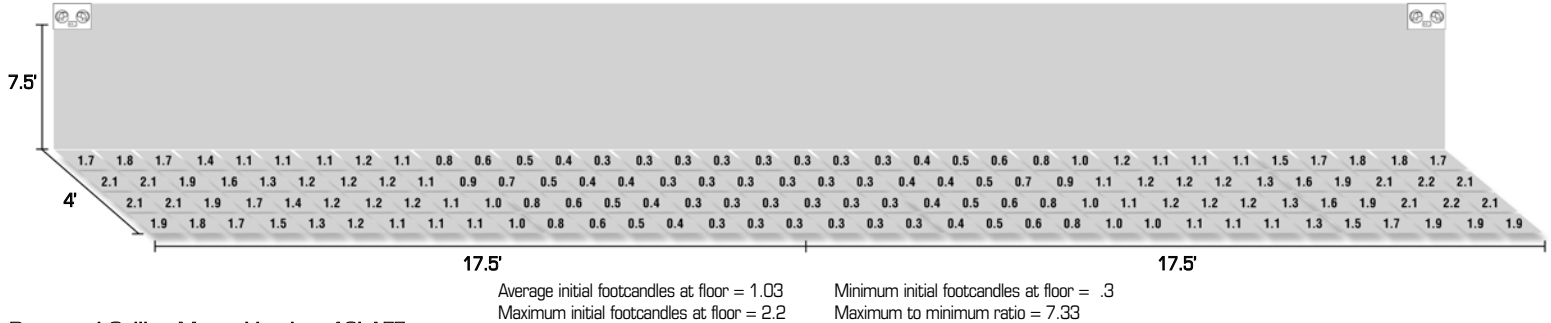
I	1		SC	
SERIES	WATTAGE	HOUSING COLOR	MODEL DESIGNATOR	FACTORY INSTALLED OPTIONS
I = Illusion Concealed Emergency Lighting Unit	1 = 72 Watts	W = White B = Black	SC = Smart Charger Diagnostics	EX = Special Input Transformer (must specify voltage & frequency) ¹ T = Self-Testing Diagnostics (non-audible) TA = Audible Self-Testing Diagnostics TD = Time Delay ² TP = Tamperproof

ACCESSORIES (Ordered Separately)
IBHK = Bar Hanger Kit for Mechanical Ceilings
T15TPTOOL = Tamperproof Screwdriver
WMLK = Wall Mount Lens Kit
CMLK = Ceiling Mount Lens Kit
RPLTSW = Remote Test Switch Kit for Single Gang Wall Box 120VAC
SCIR = Smart Charger Infra-Red Remote

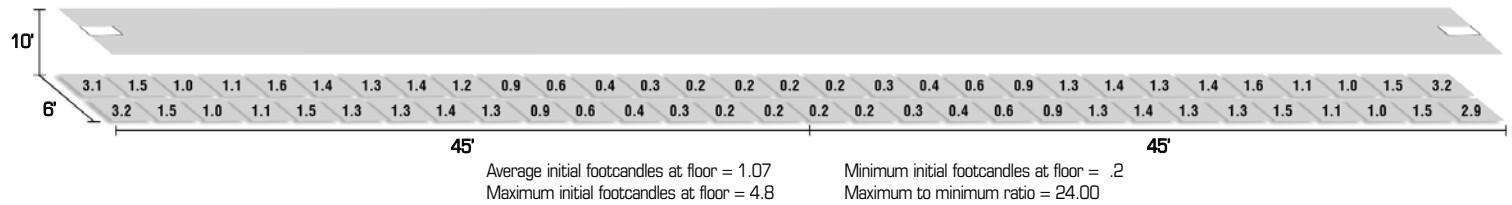
NOTES: 1) Some options impact UL listing. Consult factory for specifics. 2) 15 minute time delay.

Performance

Wall Mount Version, 7.5' AFF



Recessed Ceiling Mount Version, 10' AFF



Recessed ceiling mount performance was performed in an open environment. Wall reflectance will increase performance.



Shown: I1WSC
(ceiling version before installation)



Shown: I1WSC
(wall version before installation)

Suggested Specification

Furnish and install LightGuard's concealed emergency lighting model _____. The unit shall be listed to Underwriter's Laboratories, Inc. Standard #924 and shall meet the standards of the National Electrical Code (NEC).

INSTALLATION AND OPERATION - Unit shall be easily field connected to a 120 or 277 VAC, 60 hertz, unswitched power source. Installation must comply with the NEC as well as other applicable codes. Upon utility power failure or brownout, the unit shall automatically provide emergency battery power and maintain the stated illumination level and output wattage for a minimum period of 90 minutes. Upon restoration of utility power, the charging circuitry shall restore the battery to full charge within UL 924 requirements following a rated discharge of not more than 90 minutes. The unit shall not have any moving mechanisms during emergency operation. The unit shall provide universal wall or ceiling mounting.

ELECTRONICS - All models shall be provided with LightGuard's Smart Charger self-diagnostics electronics platform. Smart Charger will detect and notify the installer regarding incorrect wiring of the transformer primary and restrict the damaging effects from affecting the printed circuit board. The Smart Charger electronics package shall provide continuous, real-time monitoring of all the critical equipment functions including, but not limited to: line voltage status and condition, charger fault, transfer fault, battery fault, and lamp load fault and notify personnel with a visual indicator sequence. Optional audible diagnostics shall be available from the factory. The optional self-testing software shall satisfy the periodic testing requirements in NFPA 101, Life Safety Code as well as the International Building Code (IBC). The Smart Charger diagnostic/charging platform with self-testing mode automatically runs a one-minute self-test every 30 days and a 30-minute test on the sixth and twelfth month. The Smart Charger circuit shall continuously sample ambient temperature conditions and adjust the charging regime to compensate for typical and dramatic ambient conditions equal to 3mv/C compensation to maximize the life of the battery. An on-board IR receiver shall be standard and pre-programmed to operate from an optional IR user interface device (available as an accessory item).

BATTERY - The battery shall be maintenance free, sealed lead calcium. The sealed lead calcium battery shall provide trouble-free operation in temperatures up to 85°F (30°C) and is supplied with a one year full warranty.

ILLUMINATION - Illumination shall be provided by two high performance 35 watt MR16 lamps combined with a patented reflector system. The lamps shall remain hidden during emergency illumination. When using multiple fixtures, ceiling mounted units shall produce an average of one footcandle of egress lighting along a 6' x 90' foot linear path, while wall mounted units shall produce an average of one footcandle of egress lighting along a 4' x 35' foot linear path.

HOUSING - Housing construction shall be 20 gauge galvanized steel. Product shall be available with white or black housing. Trim plate shall have the capability to be field painted or wall-papered if desired. Wall recessed units shall be secured within wood or metal stud support framework. Ceiling recessed units shall have provisions for bar hangers and/or structural cable supports. All electrical components shall be modular, and can be removed easily for service without removal of product from wall or ceiling.

ALL SPECIFICATIONS SUBJECT TO CHANGE WITHOUT NOTICE