

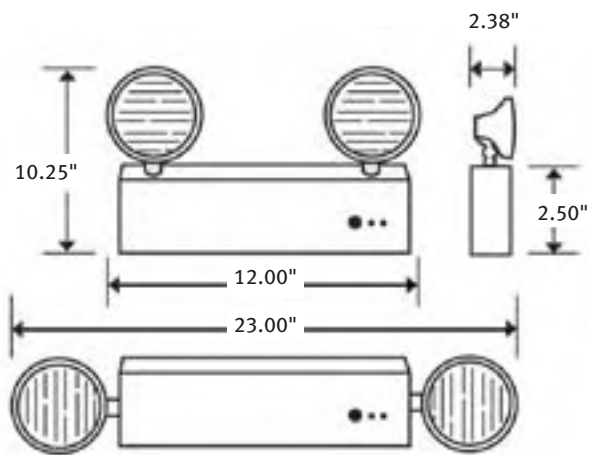


### BENEFITS & FEATURES

- Completely self-contained
- Sealed maintenance-free lead calcium batteries
- Provides a minimum emergency duration of 90 minutes
- 120/277 volt selectable input
- Low voltage disconnect
- Brownout protection
- 100% solid state charger
- Solid state relay
- Fully adjustable non-slip, high impact 94V-0, thermoplastic heads
- Dual LED AC pilot and "READY" indicators
- Push-to-test switch
- Labor saving universal mounting
- 20 gauge metal housing with white baked enamel finish
- Remote capability on larger models
- UL Listed

### CONTEMPORARY EMERGENCY LIGHT

Compact and contemporary, the EC Series Emergency Light unit is designed for ease of installation and economy. The rugged steel housing and white baked enamel finish gives this series both industrial strength and an attractive appearance. The EC family of emergency lights are ideally suited for commercial and institutional facilities where appearance and durability are primary concerns. Available with remote capability.



### LAMP SELECTION

TYPE	OPTIONS	WATTS
6V Tungsten	Standard:	7.2W, 9W
	Halogen (H):	8W, 10W, 12W
6V Sealed Beam	Standard (SB):	9W, 12W
	Halogen (SBH):	12W
12V Tungsten	Standard:	9W, 18W
	Halogen (H):	8W, 12W
12V Sealed Beam	Standard (SB):	12W, 18W
	Halogen (SBH):	8W

### ORDERING INFORMATION

MODEL	VOLTAGE	WATTS	HEAD TYPE	LAMP TYPE	OPTIONS
EC	6 (volt DC)	8 (6v)	2 = Double PAR 36	See Lamp Selector	SD = Self Diagnostics
		18 (6v)	o = No Heads		NC = NiCad Batteries
	27 (6v)		V = Voltmeter		
	36 (6v, 12v)		S = Side Mounted Heads		
					BL = Black Housing
					WG = Wire Guard

Ordering Example: EC-6-18-2-6VH-9W-BL