



TYPE _____

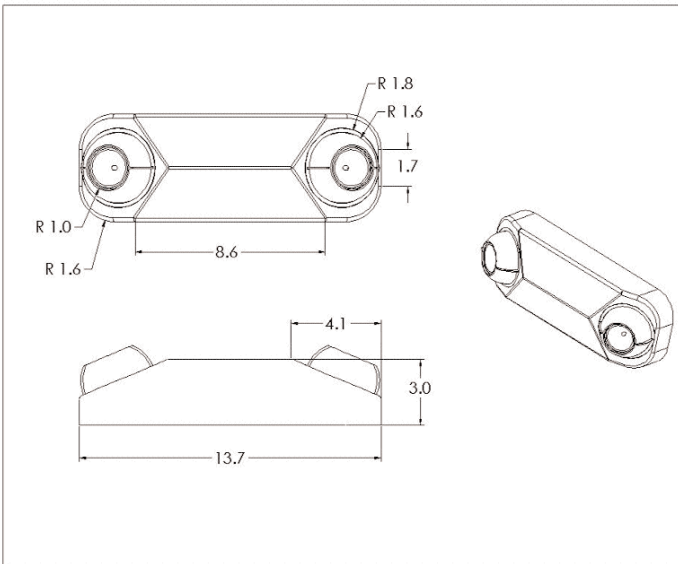
CATALOG# _____

EU-MR
Halogen Emergency Unit



EU-MR

Wall Mount



GENERAL DESCRIPTION

The EU-MR Light Style series product offers the high performance of halogen lamps while minimizing the quantities needed for illuminating paths of egress. Features a unique gently contoured thermo-plastic housing with two 7 Watt MR-16 Halogen lamp heads and is designed to provide the highest levels of glare free illumination while blending nicely into any environment.

HOUSING

UV Stable thermo- plastic flame retardant meets UL standard 95-VA. Available in white.

ILLUMINATION

Two 7 Watt MR-16 Halogen lamps mounted in precision formed fully adjustable assemblies exceed illumination required by UL 924 with better space to mounting criteria than the industry standard 5.4 Watt incandescent offering.

ELECTRONICS & BATTERY

Dual Voltage 120/277 VAC input facilitates the fully automatic Solid State charging system which features Low Voltage Disconnect (LVD), AC lockout installation, brown out protection, and standard AC indicator LED light. With an average life of 5 years, the maintenance free sealed lead calcium battery provides a minimum of 90 minutes of illumination in emergency mode.

CODE COMPLIANCE

Tested and Listed to UL 924. Meets or exceeds NFPA, NEC, and OSHA illumination standards. ETL Listed.

WARRANTY

5 years on housing and electronics with a 5 year pro rated warranty on battery.

LIGHT STYLE™ SERIES

EU-MR

Model

Housing Color

W White

