

LEDTFX-2 Wet-Location Remote Capable LED Emergency Unit



Project:	
Type:	
Catalog #:	



STANDARD



ILLUMINATION

- Sealed and gasketed weather proof lamp heads with high performance chrome plated metallized reflector and tempered glass lenses for optimal light distribution.
- Long lasting efficient Ultra-bright white LED lamp heads.
- 1.875W (15 LEDs x 0.125) per head.

ELECTRICAL

- Dual 120/277 voltage.
- Can operate up to 3.7 watts remote capacity in temperatures 0°C – 50°C.
- Charge rate/power “ON” LED indicator light and push-to-test switch for mandated code compliance testing.
- 9.6V long life, maintenance-free, rechargeable NiCd battery.
- Internal solid-state transfer switch automatically connects the internal battery to LED lamp heads for minimum 90-minute emergency illumination.
- Fully automatic solid-state, two-rate charger initiates battery charging to recharge a discharged battery in 24 hours.
- Standard unit without remote loads can be used in cold weather freezer applications (-20° C — 50° C).

HOUSING

- Corrosion-resistant 5VA flame retardant UV stabilized polycarbonate in gray or black finish.
- Sealed and gasketed housing with hinged cover.
- Sealed test switch.

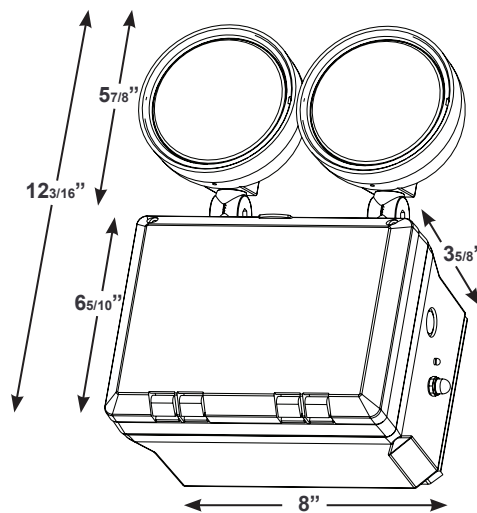
MOUNTING

- External mounting brackets for simplified wall mounting.

WARRANTY/LISTING

- Five year warranty on all electronics and housing. Battery pro-rated for five years.
- Meets UL924, NFPA 101 Life Safety Code, NEC, OSHA, Local and State Codes.
- UL listed for wet locations. (-20° C — 50° C).

DIMENSIONS



ORDERING INFORMATION

Special Voltage options available.
Check with your Best Lighting representative.

Model	Housing Color	
LEDTFX-2	Blank	Gray
	B	Black

Sample Part Number: LEDTFX-2

LEDTFX-2 Wet-Location Remote Capable LED Emergency Unit **BEST** LIGHTING PRODUCTS

Project:	
Type:	
Catalog #:	

ELECTRICAL INFORMATION

Catalog Number	Input Watts (W)		Input Amps (A)	
	120V	277V	120V	277V
LEDTFX-2	2.7	2.7	0.030	0.013

CENTER-TO-CENTER SPACING GUIDELINES

For reference only.



1	0.04	0.05	0.07	0.11	0.15	0.25	0.54	0.93	0.48	0.50	0.44	0.41	0.55	0.67	0.96	0.79	0.35	0.11	0.09	0.06	0.04	0.04	0.02	0.02	
2	0.04	0.05	0.06	0.10	0.20	0.53	2.11	3.64	1.87	0.80	0.62	0.64	0.88	1.47	2.93	3.31	1.31	0.44	0.10	0.07	0.05	0.03	0.02	0.02	
3	0.04	0.05	0.08	0.12	0.20	0.76	2.83	3.33	2.56	1.77	0.98	1.02	1.12	2.74	3.00	3.12	0.95	0.33	0.10	0.07	0.06	0.04	0.02	0.02	
4	0.04	0.07	0.09	0.13	0.19	0.51	1.40	2.19	3.15	2.85	1.33	0.95	1.05	3.55	2.31	1.78	1.03	0.41	0.12	0.08	0.05	0.03	0.02	0.02	
5	0.05	0.06	0.07	0.11	0.16	0.25	0.50	1.33	3.05	3.40	1.36	0.84	0.75	2.53	1.20	0.53	0.33	0.15	0.10	0.07	0.05	0.04	0.02	0.02	
6	0.04	0.06	0.08	0.12	0.14	0.20	0.25	0.54	0.98	1.29	0.67	0.67	0.71	0.94	0.55	0.31	0.22	0.11	0.08	0.06	0.04	0.03	0.02	0.02	
	11	10	9	8	7	6	5	4	3	2	1	0	1	2	3	4	5	6	7	8	9	10	11	12	13

Meets NFPA101 Requirements for: 16' center-to-center spacing - 3' path of egress 1' from the wall - 7 1/2' mounting height.

REMOTE LAMP COMPATIBILITY

	Maximum Wattage Allowed
LEDTFX-2	3

Remote Head Family	Total Wattage
RHLED1-CLPCXTE	1
RHLED2-CLPCXTE	2
RHLED1-WP-CLPCXTE	1
RHLED2-WP-CLPCXTE	2
RHLED1-CLPCXTE-HL	1.5
RHLED2-CLPCXTE-HL	3
RHLED1-WP-CLPCXTE-HL	1.5
RHLED2-WP-CLPCXTE-HL	3