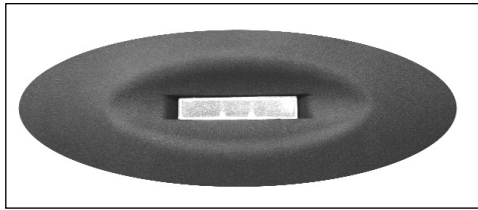


Type No. \_\_\_\_\_  
 Job Name \_\_\_\_\_  
 Catalog No. \_\_\_\_\_



Shown: 13NBRSC



# Illusion III

- **Architectural White LED Lighting Fixture**
- **Optional Emergency Packages**
- **7.2 Volt, 12 Watt, White LED Lamps**
- **NiMH Battery, Standard Self-Diagnostics Electronics\***
- **Damp Location Listing Standard**

\*Self-powered models incorporate the Smart Charger diagnostics electronics package. Self-testing is a factory installed option.

## Housing

- Durable and fully gasketed die cast aluminum housing and cover with UV stabilized polycarbonate lens
- A full range of pleasing architecturally inspired powder coated finishes are available
- A bar hanger kit is supplied standard to accommodate recessed ceiling mount applications. The unit may also be surface ceiling mounted directly or with the use of standard 3½" or 4" octagonal or single gang junction box
- A knockout is provided on the housing for conduit installations
- Tamperproof hardware is available as an option

## Battery

- Maintenance-free sealed nickel metal hydride with 10-year life

## Illumination

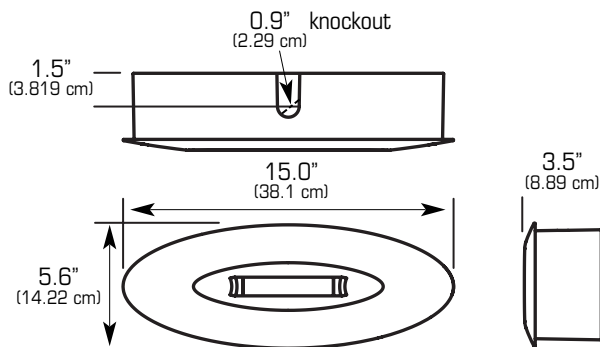
- Illumination is provided by two field-replaceable, independently powered white LED modules and a vacuum plated polycarbonate reflector
- The reflector design has been optimized to produce one-foot candle average illumination along a 5'x27' path of egress, with multiple fixtures, when placed at a mounting height of 10'
- IES photometric data files are available

## Warranty

Electronics: 3 years full

Battery: 5 years full, 5 years pro-rated

## Dimensions



## Smart Charger Electronics

### AC Only

- 120/277 VAC dual voltage input with surge protection is standard on all models

### Emergency Operation

- Charging system is microprocessor driven with software embedded diagnostic routine and temperature compensation
- See specification sheet L2368 for electronics details
- 120/277 VAC input, surge protection, brownout, AC lockout and low voltage disconnect features are standard

## Electrical Specifications

### Input Power Requirements

#### AC Only Models

120 VAC: 60 Hz, 0.203A; 277 VAC: 60 Hz, 0.087A

#### Self-Powered Models

120 VAC: 60 Hz, 0.198A; 277 VAC: 60 Hz, 0.088A

## Smart Charger

## Self-Testing Diagnostics

### (Optional)

The Smart Charger diagnostic/charging platform with optional self-testing mode automatically runs a one-minute self-test every 30 days and a 30-minute test on the sixth and twelfth month. A one-minute or 90-minute test may be initiated via the push to test switch on the unit or by activating the appropriate test command on the optional IR test device.

## Code Compliance

- UL 924 listed
- UL damp location listing standard
- NFPA 101, NEC, BOCA, OSHA, and IBC illumination standards
- UL 1598 Non-IC pending

## Operating Temperature Range

### Self-Powered

- Damp Location: 32°F (0°C) to 104°F (40°C)

### AC-Only and 2-CKT Models

- Damp Location: -40°F (-40°C) to 104°F (40°C)

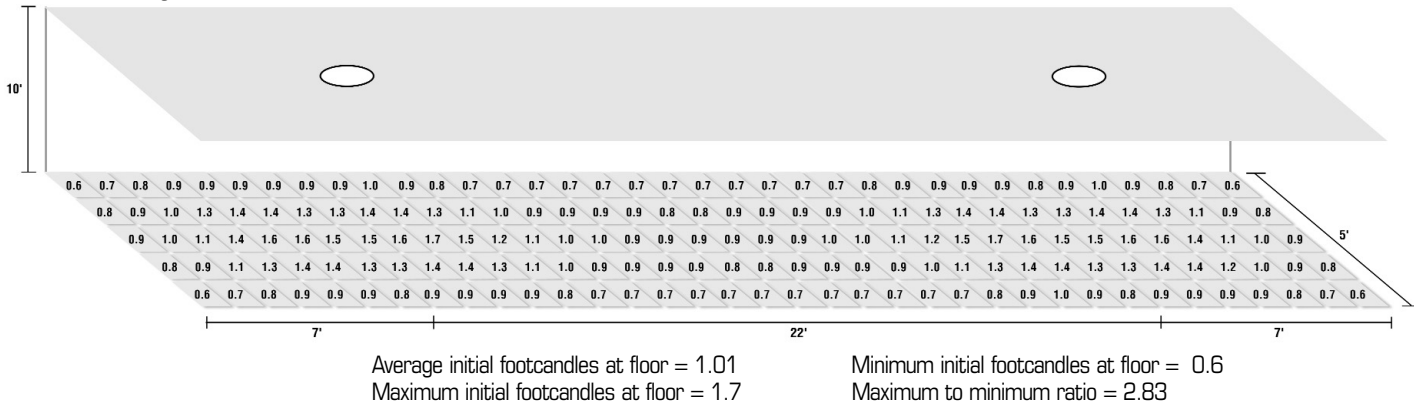
## Ordering Information

I3			SC			
SERIES	BATTERY	HOUSING FINISH	MODEL DESIGNATOR	FACTORY INSTALLED OPTIONS		
I3 = Illusion III LED Fixture	A = AC Only N = Self-Powered Emergency Unit with Nickel Metal Hydride Battery (NiMH)	W = White B = Black A = Aluminum G = Gunmetal BR = Ornamental Bronze AC = Aged Copper VG = Velvet Green N = Nickel GA = Granite	SC = Smart Charger Diagnostic	2CKT1 = Two-Circuit 120/120 VAC (AC only models) 2CKT2 = Two-Circuit 277/277 VAC (AC only models) DC = Universal 12-48 VDC Remote Emergency Input (AC only models) EX = Special Input Transformer <sup>1</sup> (specify voltage & frequency) T = Self-Testing Diagnostics TA = Audible Self-Testing Diagnostics TP = Tamperproof	<b>ACCESSORIES (Ordered Separately)</b> SCIR = Smart Charger Infra-Red Remote T151PTOOL = Tamperproof Screwdriver  <b>Ordering Example</b> I3 N BR SC T Series ———  Battery ———  Housing Finish ———  Model Designator ———  Factory Installed Options ———	

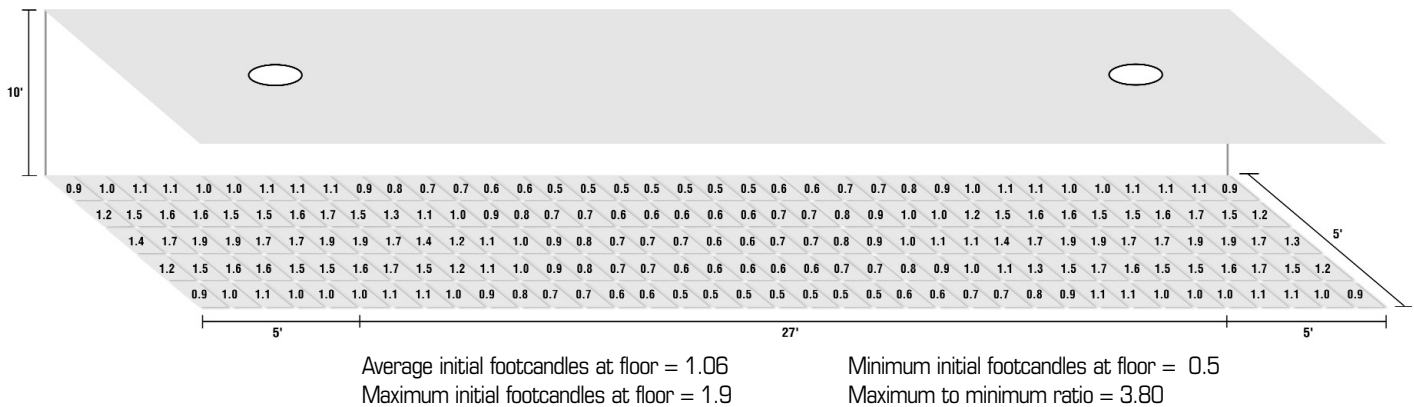
NOTE: 1) Some options may impact UL listing. Consult factory for specifics.

## Photometric Data

Recessed Ceiling Mount in AC Mode, 10' AFF, Two Fixtures



Recessed Ceiling Mount in Emergency Mode, 10' AFF, Two Fixtures



## Suggested Specification

Furnish and install LightGuard's Illusion III lighting fixture model \_\_\_\_\_. The unit shall be constructed to meet Underwriters Laboratories, Inc. Standard #924 and must be installed to conform to Article 700 of the National Electrical Code (NEC).

**INSTALLATION AND OPERATION** – Unit shall be easily field connected to a 120 or 277 VAC, 60 hertz, unswitched power source. Installation must comply with the NEC as well as other applicable codes.

**CHARGER (Emergency Operation Only)** – All self-powered models shall be provided with LightGuard's Smart Charger diagnostics electronics platform. Smart Charger will detect and notify the installer regarding incorrect wiring of the transformer primary and will restrict the damaging effects on the printed circuit board. The Smart Charger electronics package shall provide continuous, real-time monitoring of all the critical equipment functions including, but not limited to: line voltage status and condition, charger fault, transfer fault, battery fault, and LED load fault and notify personnel with a visual indicator sequence. Optional audible diagnostics as well as self-testing diagnostics shall be available from the factory. The self-testing option shall satisfy the periodic testing requirements in NFPA 101, Life Safety Code as well as the International Building Code (IBC). The Smart Charger circuit shall continuously sample ambient temperature conditions and adjust the charging regime to compensate for typical and dramatic ambient conditions to maximize the life of the battery. An on-board IR receiver shall be standard and pre-programmed to operate from an optional IR user interface device (available as an accessory item). Upon utility power failure or brownout, the unit shall automatically provide emergency battery power and maintain the stated illumination level output wattage for a minimum period of 90 minutes. Upon restoration of utility power, the charging circuitry shall restore the battery to full charge within UL 924 requirements following a rated discharge of not more than 90 minutes.

**BATTERY (Emergency Operation Only)** – The battery shall be maintenance-free nickel metal hydride. The NiMH battery shall provide trouble-free operation in temperatures ranging from 32°F (0°C) to 104°F (40°C) and is suitable for use in damp location applications. The battery shall be tested and recognized in accordance with the accelerated life testing requirements of the IEC. The battery shall be supplied with a five-year full warranty.

**ILLUMINATION** – Illumination shall be provided by two six-watt white LED modules used in conjunction with a vacuum metallized polycarbonate reflector. Adjacent fixtures mounted 27' apart shall provide one foot-candle average in the emergency mode when mounted at a 10' mounting height above finished floor.

**HOUSING** – Housing construction shall be of premium die cast aluminum with a UV stabilized polycarbonate diffusing lens. The unit shall be available in multiple colors and finishes. The unit shall be wall mounted to standard 3½" octagonal and single gang junction boxes. The unit shall also provide a knockout for conduit entry. A bar hanger kit shall be provided for recessed mounting.

ALL SPECIFICATIONS SUBJECT TO CHANGE WITHOUT NOTICE