

| | |
|-------------------|--|
| Project: | |
| Type: | |
| Catalog #: | |

STANDARD



ILLUMINATION

- Two, 6V adjustable white LED lamp heads in metal housing and polycarbonate lens provide up to 60-ft center-to-center spacing with a 3-ft path of egress at 7-1/2-ft mounting height.
- 3.3W (3 LEDs x 1.1W) per head with a light output of 335 lumens.

ELECTRICAL

- Dual 120/277 voltage.
- Unique bi-color LED indicator light alerts occupant on battery condition (Green-normal, Red-check battery).
- Charge rate/power "ON" LED indicator light and push-to-test switch for mandated code compliance testing.
- LVD (low voltage disconnect) prevents battery from deep discharge.
- 6V sealed lead acid, maintenance-free, rechargeable battery.
- Remote capacity of 5.4W standard.
- Internal solid-state transfer switch automatically connects the internal battery to the LED lamp heads for minimum 90-minute emergency illumination.
- Fully automatic solid-state, two rate charger initiates battery charging to recharge a discharged battery in 24 hours.

MOUNTING

- Universal knockout pattern on back for wall mount.
- Side and top knockouts for conduit feed applications.

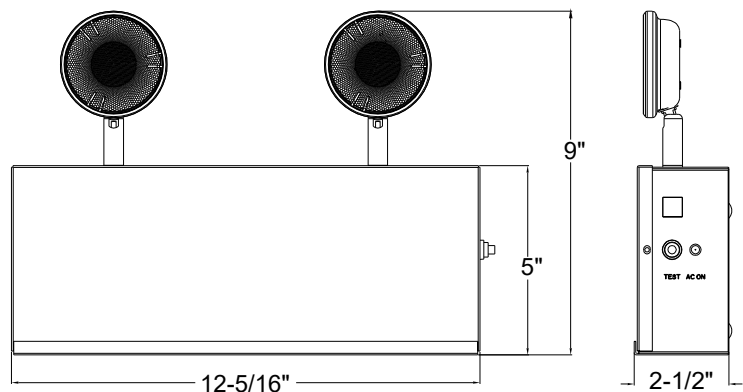
HOUSING

- Durable 20-gauge steel construction in White or black finish.

WARRANTY / LISTING

- Five year warranty on all electronics and housing. Battery pro rated for two years.
- UL Listed for damp locations (20°C – 50°C).
- Meets UL924, NFPA 101 Life Safety Code, NEC, OSHA, Local and State Codes.
- Meets City of Chicago requirements.

DIMENSIONS



ORDERING INFORMATION

Sample Part Number: **CAEMW**

| MODEL | HOUSING COLOR | |
|-------|---------------|-------|
| CAEM | W | White |
| | B | Black |

| | |
|-------------------|--|
| Project: | |
| Type: | |
| Catalog #: | |

ELECTRICAL INFORMATION

| CATALOG NUMBER | INPUT WATTS (W) | | INPUT AMPS (A) | |
|----------------|-----------------|------|----------------|-------|
| | 120V | 277V | 120V | 277V |
| CAEM | 8.4 | 9.4 | 0.08A | 0.04A |

REMOTE LAMP COMPATIBILITY

| MODEL NUMBER | BATTERY | REMOTE CAPACITY | COMPATIBLE REMOTE HEAD FAMILY | | | | |
|--------------|---------|-----------------|-------------------------------|---------|-----|-----|--------|
| | | | RHLED | RH16LED | SRH | | SRHLED |
| | | | | | 6V | 12V | |
| CAEM | 6V | 5.4W | X | X | X | | X |