

The 900E Series exit features an architectural, slim design to fit into any environment. Attractive and functional, the 900E Series is completely self-contained and utilizes reliable, energy-efficient LED illumination.

Model: \_\_\_\_\_ Date: \_\_\_\_\_  
Accessories: \_\_\_\_\_  
Job Name: \_\_\_\_\_ Type: \_\_\_\_\_

**FEATURES AND BENEFITS**

- Attractive specification-grade aluminum design
- Ceiling recessed, wall recessed, surface ceiling, end or wall mount
- Field-selectable directional chevrons included for all configurations
- Custom legends available
- Assembled in USA with global components

**SPECIFICATIONS**

**Illumination:** Constant, uniform illumination by long-life, high-intensity green or red LEDs

**Housing:** Specification-grade aluminum design

**Input:** 120/277VAC Dual primary, 50/60Hz input

**Battery:** Maintenance-free NiCad (NC), NiMH (G2) and Sealed Lead Calcium (WB) batteries

**Run Time:** UL 924 Listed 90 minute emergency run time, 24 hour recharge

**Electrical:** Low voltage disconnect eliminates deep discharge, brownout, short circuit and voltage surge protection

**Mounting:** Ceiling recessed, wall recessed, surface ceiling, end or wall mount

**Finishes:** Black, Brushed Aluminum or White

**Options:** G2 - Guardian Self-test/Self-diagnostics  
DR = Damp Location Rated  
IV = Inverted Mount EXIT Panel

**Operating Temp:** 10°C to 40°C (50°F to 104°F)

**Certifications:** UL 924 Listed and meets or exceeds the following: NEC requirements and NFPA 101

**Warranty:** Any component that fails due to a manufacturing defect is guaranteed for 25 years with a separate five year prorated warranty on the battery. The warranty does not cover physical damage, abuse or instances of uncontrollable natural forces. See the full Exitronix warranty document for detailed information. (Terms and Conditions apply)



Custom legends available



**ORDERING INFORMATION Example: 902E-U-WB-RM-BA-G2**

Series	Mounting	Power Source	Panel Color	Finish	Options (Factory Installed)
902E = Single-face	R = Recessed	LB = AC Only	GC <sup>2</sup> = Green Letters/Clear Panel	BA = Brushed Alum.	DR = Damp Location Rated
903E <sup>1</sup> = Double-face	U = Universal Surface	WB = Sealed Lead Calcium	GM = Green Letters/Mirror Panel	BL = Black	G2 <sup>5</sup> = Self-test/Self-diagnostics
	WR <sup>2</sup> = Wall Recessed	NC <sup>3</sup> = NiCad	GW = Green Letters/White Panel	WH = White	G2-220V <sup>5</sup> = Self-test/Self-diagnostics
		2CI1 <sup>4</sup> = 2 Circuit Input 120/120V	RC <sup>2</sup> = Red Letters/Clear Panel		G2-230V <sup>5</sup> = Self-test/Self-diagnostics
		2CI7 <sup>4</sup> = 2 Circuit Input 277/277V	RM = Red Letters/Mirror Panel		G2-240V <sup>5</sup> = Self-test/Self-diagnostics
		2CI17 <sup>4</sup> = 2 Circuit Input 120/277V	RW = Red Letters/White Panel		IV = Inverted Mount EXIT Panel

**Notes**

<sup>1</sup> Double-face available with white or mirror panel only

<sup>2</sup> Single-face, clear panels only (RC or GC)

<sup>3</sup> Not a UL Listed product, not available in combination with other options

<sup>4</sup> 2CI not available with G2 option

<sup>5</sup> Available with NiMH only

<sup>6</sup> Order as separate line item, surface mount only

**Note:** See [Specialty Signage](#) specification for custom/alternate legends

See [Social Distance Signage](#) specification for social distancing legends

**Accessories<sup>6</sup> (Field Installed)**

ER1-KIT = 1' Pendant Mount Kit

ER2-KIT = 2' Pendant Mount Kit

## CONSTRUCTION

Surface Mounting: Engineering grade aluminum extrusion with mounting canopy in either a powder coated or brushed aluminum finish

Recessed Mounting: Galvanized steel enclosure supplied with a trim plate and adjustable bar hanger

Panels constructed of high quality clear acrylic for maximum light output. Exit letters are 6" high with a 3/4" stroke. Double-face panels are supplied with a mirror or white separator. Units are supplied with field selectable directional chevrons for all configurations.

## ILLUMINATION

Illumination of the 900E Series is accomplished utilizing high-intensity, long-life LEDs. LEDs are a maintenance-free solution, providing up to 100,000 hours of use without failure.

## ELECTRICAL

### Input

Dual-voltage input 120 or 277VAC @ 50/60Hz.

### Sealed Lead Calcium Battery (WB)

Exitronix sealed lead calcium batteries are maintenance-free.

### Nickel-Metal Hydride - NiMH (With G2 option only)

Exitronix NiMH batteries are maintenance-free.

### Nickel Cadmium - NiCad (NC)

Exitronix NiMH batteries are maintenance-free.

### Emergency

The 900E Series exit will operate for a minimum of 90 minutes during a loss of power with a 24 hour maximum recharge time for the battery.

### Two-Circuit Operation (Option: 2CI1, 2CI7 or 2CI17)

Two-Circuit input allows for a primary and auxiliary power source to be connected to the emergency unit that does not contain a battery. Applications include those with inverters or alternate backup power sources.

### Brownout Circuit

Brownout circuit monitors the line voltage, as the line voltage sags and can no longer illuminate the exit sign to meet UL 924 visibility test, the emergency circuit will turn on to supply a portion or all the power to illuminate the sign for a minimum of 90 minutes until the line voltage is restored.

### Low Voltage Disconnect

Low Voltage Disconnect (LVD) measures the battery terminal voltage. The LVD continuously monitors the battery terminal voltage and if it should fall below a preset voltage threshold, the LVD will disconnect the load. When the battery is recharging and voltage is raised above another preset voltage threshold, the load is automatically reconnected.

### Test Button

The test button is easy to locate and provides manual verification of the transfer circuit and emergency lamps.

### Solid-State Transfer (G2 option only)

The circuit features Solid-state switching for emergency lamps, eliminating concerns of damaged contact or mechanical failures associated with relays. The switching circuit detects a loss of line voltage and automatically switches to emergency mode.

### Overload and Short Circuit Protection

The overload monitoring system is a Solid-state circuit which monitors the lamp load and disconnects from the battery shall an overload or short circuit occur. The overload current protection eliminates the need for fuses or circuit breakers for the DC load.

## INSTALLATION

Installs in minutes with easy-to-read instructions and detailed diagrams. No special hardware or tools necessary. Internally housed components and battery.

## OPTIONS

### Damp Location Rated (Option: DR)

Damp Location Rated fixture that is normally or periodically subject to condensation of moisture in, on or adjacent to, and includes partially protected locations.

### Guardian Self-Test/Self-Diagnostics (Option: G2)

#### Operation

The purpose of the Guardian circuit is to provide self-testing and self-diagnostic capabilities to the EXIT sign. The EXIT sign will automatically switch to battery mode every 28 days for a period of 5 minutes and every 6 months for a period of 90 minutes. The EXIT sign will also perform various self-diagnostic tests of the unit. Visual signaling will alert maintenance personnel to a fault of the EXIT sign electronics, battery and/or battery charger. The circuitry continuously monitors the operating condition of the EXIT sign and battery charging circuit/battery supply voltage. Refer to Self-Diagnostic section of this page for fault reporting details.

### Indicator LEDs

The EXIT sign is provided with a state-of-the art pulse charging system for the battery. The yellow LED (STEADY STATE) indicates that the charger is turned off. The red LED (CHARGER ON) indicates that the battery is under full charge. NOTE – the "STEADY STATE" and "CHARGER ON" LEDs will toggle faster with a discharged battery. A fully charged battery will cause the "STEADY STATE" LED to be illuminated longer than the "CHARGER ON" LED. The green "AC ON" LED indicates that normal AC power is being supplied to the EXIT sign. The red "UNIT ALERT" indicates whenever the self-diagnostic system has detected a fault condition.

### Test Button Features

- Pressing the "TEST BUTTON" once will switch the unit into battery mode for a period of 2 seconds.
- MANUAL TEST - Pressing the "TEST BUTTON" twice (in rapid succession), will switch the unit to battery mode for a period of 15 minutes. Pressing the "TEST BUTTON" once while the unit is MANUAL TEST mode will cancel the manual test and return the unit to normal AC power.
- RESET – Pressing the "TEST BUTTON" 3 times will reset the red "UNIT ALERT" LED. If multiple faults are present, it may be necessary to repeat this procedure for each remaining fault indicated by the "UNIT ALERT" LED.

### Self-Diagnostic Features

Refer to the chart below when the "UNIT ALERT" LED is blinking.

Number of Blinks	Unit Fault	Corrective Action
1	Battery is Disconnected	Check battery connections
2	Battery	Replace battery
3	Not Applicable	Not Applicable
4	Charger	Check battery then consult factory
5	Transfer (AC to DC)	Check battery then consult factory

### Inverted Mount EXIT Panel (Option: IV)

The IV option is designed where the panel is inverted to allow the enclosure to be installed on a ledge application.

### Specialty Signage

For custom/alternate legends, see our [Specialty Signage](#) specifications.

### Social Distancing Signage

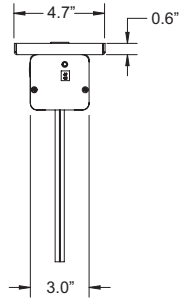
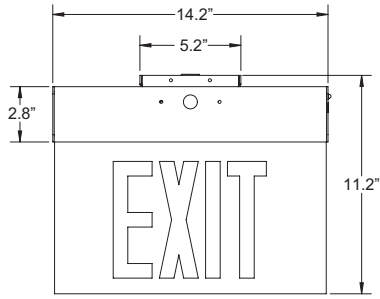
For social distancing legends, see our [Social Distancing Signage](#) specifications.

## CONFORMANCE TO CODES & STANDARDS

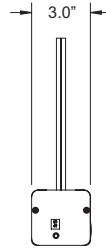
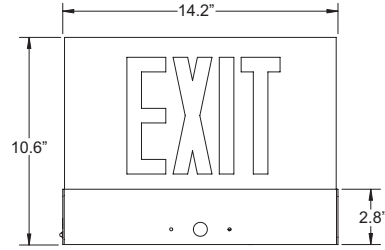
The 900E Series is UL 924 Listed and meets or exceeds the following: NEC requirements and NFPA 101.

## DIMENSIONS

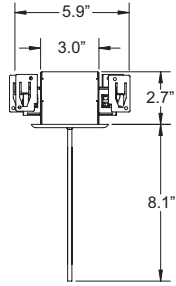
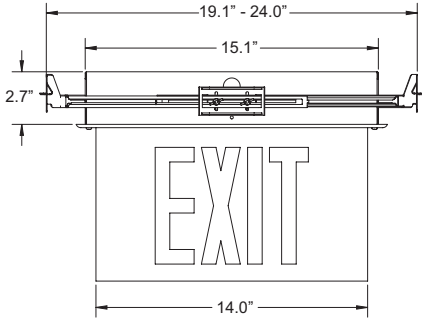
**Surface Mount**



**Inverted Mount EXIT Panel**



**Recessed Mount**



**Wall Recessed Mount**

