

Project		Catalog #		Type	
Prepared by		Notes		Date	



## Sure-Lites

### All-Pro APELMINI Series

LED Emergency Light  
Compact Housing  
Sealed Nickel Cadmium Battery

#### Typical Applications

Office • Education • Healthcare • Hospitality • Retail • Manufacturing

#### Interactive Menu

- Order Information [page 2](#)
- Photometric Data [page 2](#)
- Product Warranty

#### Top Product Features

- Provides emergency lighting for a minimum of 90 minutes
- UL 924 damp location listed
- Up to 17 feet of emergency egress coverage
- Compact, high impact thermoplastic housing: 5-1/4" x 4-3/4"
- 3.6V, 0.78W DC long lasting LED heads
- Dual voltage input 120/277 VAC, 60 Hz
- Universal J-box mounting pattern, three conduit entry points
- Operating temperature range of 10°C to 40°C

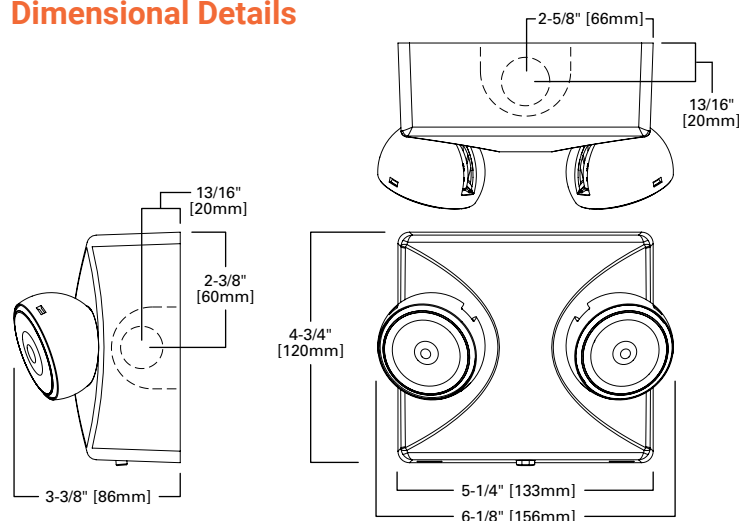
#### Product Certification



#### Product Features



#### Dimensional Details



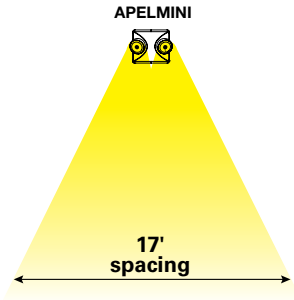
## Order Information

[View IES files](#)

SAMPLE ORDER NUMBER: **APELMINI**

Series	Size	Battery	Housing Color	Catalog Numbers
APEL	MINI-J-box size	[Blank]=Nickel Cadmium Battery	[Blank]=White	APELMINI

## APELMINI Spacing



## Product Specifications

### Electrical

- Dual Voltage Input 120/277VAC 60Hz
- Line-latching
- Brownout circuit
- Low Voltage Disconnect
- Overload/Short Circuit Protection
- Test Switch/Power connector facilitates installation
- 3.6V, 0.78W DC Long Lasting LED Heads

### Housing Construction

- All components are injection molded, color stable, high impact thermoplastic material
- Designer textured finish standard
- Components are of snap-fit construction to facilitate under 5-minute installation
- Reinforcing ribs throughout to provide maximum strength
- Suitable for wall or ceiling mount applications
- Universal J-box mounting pattern
- Keyhole mounting slots
- Three conduit entry points.
- Compact 5-1/4" x 4-3/4" housing
- Available in white

### Battery

- Sealed nickel cadmium
- Maintenance-free, long-life
- Full recharge time: 24 hrs (max.)
- Polarized battery terminals

### Code Compliance

- UL 924 Damp Location Listed
- Life Safety NFPA 101
- NEC/OSHA
- Most State and Local Codes
- Operating temperature range 10 °C to 40 °C
- California Energy Code compliant

### Head/Lamp Data

- Long Life LED Emergency Heads
- Two heads standard
- Fully adjustable
- High impact thermoplastic
- Matches housing finish

### Warranty

- Five-year warranty
- Seven-year prorated battery warranty

## Energy Data

Model	Input Power 120V	Input Power 277V	Input Current 120V (Max.)	Input Current 277V (Max.)
APELMINI	0.33W	0.47W	.06A	.07A

## Electrical Ratings

Model	DC Voltage	1.5 Hours
APELMINI	3.6 Volts	1.5 Watts

**Note:** Each Long Life LED Emergency Head replaces a 5.4 Watt Incandescent lamp.

## Technical Data

### Description

The APELMINI is an UL 924 listed emergency light with a minimum of 90 minutes of run time and 17 feet of emergency egress coverage in a compact 5-1/4" by 4-3/4" housing. Key features include LED heads, a no maintenance nickel cadmium battery and a five year fixture warranty. The LED heads are fully adjustable to maximize design flexibility while the compact form factor optimizes aesthetics. The universal j-box mounting pattern and snap fit housing construction significantly reduce installation time. Three conduit entry points offer multiple connection options for easier installation.

### LED Heads

- Horizontal and vertical rotatable, fully adjustable
- 3.6V, 0.78W DC LED heads

### Housing Construction

- Rugged, durable, injection molded thermoplastic materials
- Structural components designed with reinforcing ribs for additional rigidity and structural integrity
- Impact and scratch resistant
- UV stabilized to resist discoloration due to age and ultraviolet radiation
- Snap-fit construction (no mechanical fasteners) to facilitate installation in under five minutes
- Mounting plate's keyhole mounting slots and universal mounting pattern provides quick, efficient installation
- Installation components included (wire nuts, wire leads, etc.)
- Three conduit entry points
- Wall or ceiling mounting
- Housing color available in white

### Line-Latched

- Line-latched electronic circuitry for easy and economical installation
- Line-latching eliminates contractor's return to site to connect the batteries when the building's main power is turned on
- Labor efficient AC activated load switch prevents lamps from turning on during installation to a non-energized AC circuit

### Solid-State Charger

- 120/277 VAC, voltage regulated solid-state charger
- High charge rate immediately following power restoration of AC current after a power failure
- Charge circuit reacts to the condition of the battery and regulates the charging process in order to maintain peak battery capacity and maximize battery life
- Solid-state construction recharges the battery following a power failure in accordance with UL 924

### Brownout Circuit

- Monitors the flow of AC current
- Activates the emergency lighting system when a predetermined reduction/dip of AC power occurs (a dip in voltage will cause most ballasted products to extinguish, causing loss of normal lighting even though a total power failure has not occurred)

### Low Voltage Disconnect

- Low-voltage circuitry disconnects the lighting load when battery's terminal voltage falls
- Disconnect remains in effect until normal utility power is restored, preventing deep battery discharge

### Test Switch/Power Indicator Light

- Switch permits the activation of the emergency circuit for complete operational systems check
- Indicator light provides visual assurance that the AC power is on

### Sealed Nickel Cadmium Battery

- Sealed, maintenance-free nickel cadmium battery with 10-year life expectancy
- Rechargeable battery offers high discharge rates and stable performance over a wide range of temperatures
- Resealable vent automatically controls cell pressure, assuring safety and reliability
- Best suited for harsh ambient temperatures due to the electrolyte is not active in the electrochemical process

### Limited Warranty

- Five-year limited warranty against defects in material and workmanship
- Nickel cadmium battery has a seven-year prorated warranty