

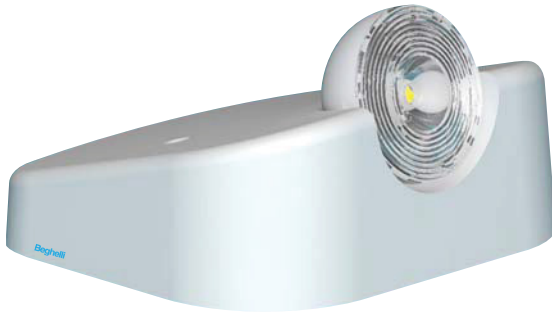
BEM REMOTES

INDOOR | DAMP



Job/Location: _____
 Contractor: _____
 Prepared By: _____

Job Type: _____
 Date: _____



BEMR-1



BEMR-2

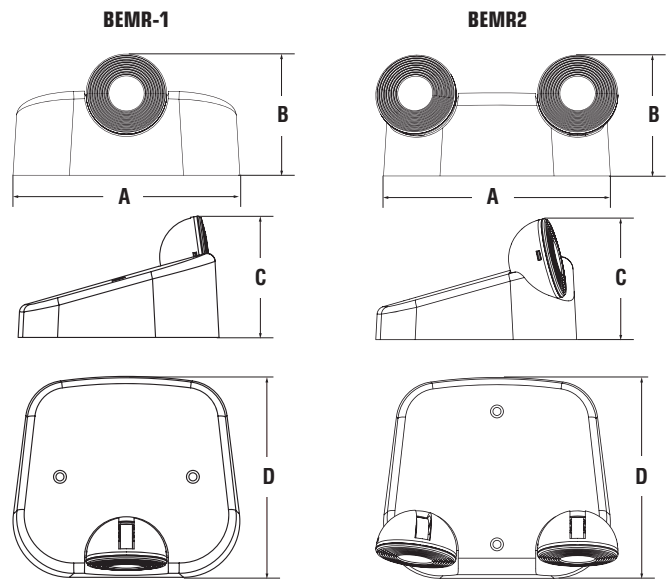
■ **BEM high output led remote heads**

The **BEM**, fully adjustable remote heads utilizes high output LED technology. For use as part of an emergency lighting system, providing light for path of egress.

■ **specifications: electrical**

For remote single heads, maximum wattage is 1W. For remote double heads, maximum wattage per head is 0.5W. Powered from low voltage power source (3.6V batteries). Low voltage wiring not provided. The operating temperature is from 32°F up to 86°F (0°C to 30°C).

■ **dimensions (in,mm.)**



Series	A	B	C	D
BEMR-1	5.54" 140mm	2.97" 75mm	2.03" 51mm	4.90" 124mm
BEMR-2	5.54" 140mm	2.97" 75mm	2.05" 52mm	4.90" 124mm

■ **ordering logic**

Series	Head #	Options
BEMR	1 (single head) 2 (double head)	B (black housing)

EXAMPLE: BEMR-1
 DESCRIPTION: Single remote head, 3.6V, 0.5W.