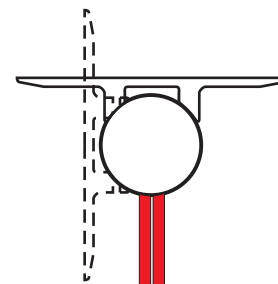


*Designed to meet requirements of State of Connecticut,
State Fire Safety Code Para 1011.1.1 and 1011.1.2*



CONSTRUCTION

- Extruded aluminum LED lamp housing mounts to a form fitting canopy in solid aluminum that contains a "cam lock" device, which is field adjustable for wall or ceiling mount.
- Standard finishes: satin white and brushed aluminum.
- Optional finishes: Painted colors in any custom shade.
- Diamond polished acrylic lenses for optimum light transmission, exterior quality and high brightness.
- Ultra high output LEDs produce brilliant graphic illumination well above code minimums

ELECTRONICS

- Universal 120/ 277 VAC input for standard battery or AC unit, or 24 VDC input for remote configuration.
- Remotes may be connected to one of the following:
 - Series CBS UNIVERSAL CENTRAL BATTERY SYSTEM
 - Series MTL MASTER-REMOTE SYSTEM
- Power supply is surge and spike protected, with a low voltage disconnect.
- The complete power supply module with optional NICAD battery pack is sealed within a phenolic plastic enclosure, which fits inside a standard 4" square deep J- box. AC and DC wiring is quickly attached with plug connectors.

DIAGNOSTICS OPTION

- An advanced microprocessor monitors all charger functions and battery condition continuously, with software to automatically perform all tests and visual indications required by UL Standard 924 and NFPA 101.

MOUNTING

- Field selectable wall or ceiling mount. No exposed hardware.

CODES

- Manufactured and tested to UL Standard 924. Conforms to NFPA Life Safety Code 101, UBC and NEC.

CONNECTICUT STATE FIRE SAFETY CODE PARA 1011.1.2

1011.1.2 Accessible exits. Where exit signs are required by Section 1011.1 of this code, accessible exit doors at the level of exit discharge that lead directly to accessible paths of exit discharge shall additionally be marked by the International Symbol of Accessibility. Such symbol shall be not less than 6 inches high and shall be incorporated into the required exit sign or shall be located directly adjacent to it. Such symbol shall meet the requirements of Section 1011.

WARRANTY

- 5 year total customer satisfaction warranty. For details see product catalog technical data section.

FIXTURE SCHEDULE

MODEL	CATALOG NO
APPROVAL	JOB INFORMATION



Crystal Accessible Exit Edge-lit LED Sign System

Series CAE

CAE.05.17.07

SUGGESTED SPECIFICATIONS:

Supply and install Signtex CRYSTAL ACCESSIBLE EXIT Series CAE surface mount LED exit signs. The lamp housing and canopy shall be of extruded aluminum, graphic lenses shall be optical grade acrylic with diamond polished edges. Lens size shall be 21" x 7 1/2" and EXIT letters and Accessible Graphic shall be 6" in height. Lighting uniformity shall be better than 4:1 when measured over any illuminated area and average brightness will exceed 6 ft Lambert (21 Cd/m²). Life expectancy of the LEDs shall be in excess of 20 years. Power consumption shall be less than 1/2 watt per face. The power supply and charger shall be an isolated digital type with regulated current and voltage output to the lamp load and batteries (emergency models). AC supply shall be universal 120/277 VAC input via two-wire feed.

OPTIONS:

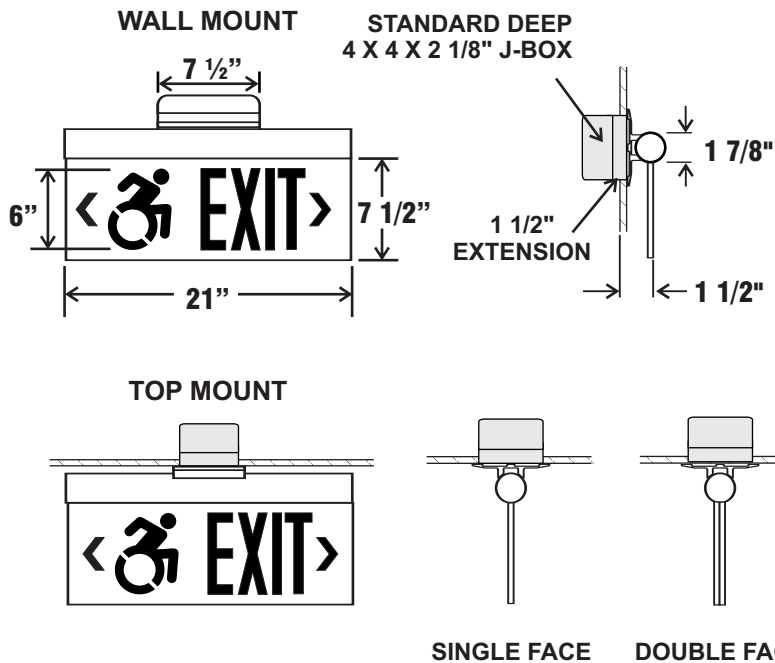
OPTIONS:	CODE
Damp Location	DP
Battery Diagnostics	DG
Double Pendant MT 12"	2PEN
Mirror Background (SF)	M
White Background (SF & DF)	W
Black Background (SF & DF)	B
Recessed Mount	REC

For other Custom Colors or Graphics:
Contact Factory

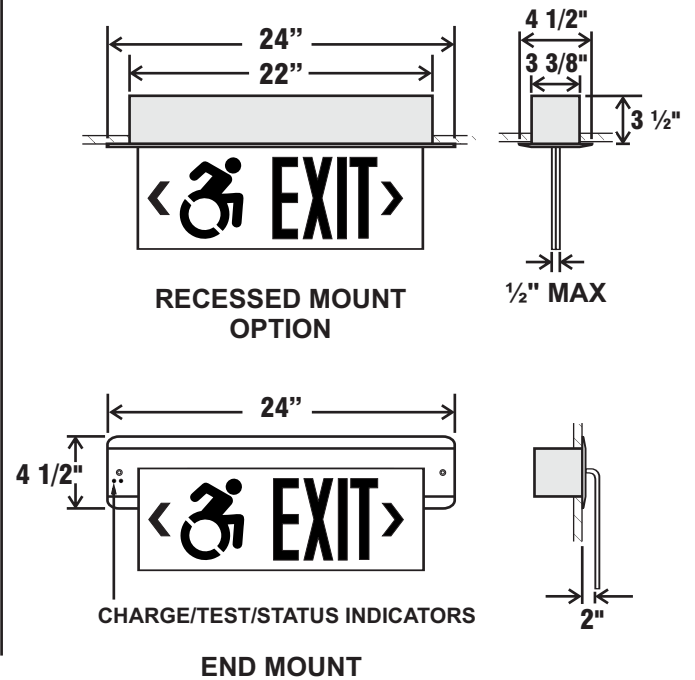
MOUNTING DATA & DIMENSIONS:

NOTE: PRE-INSTALL 4" X 4" X 2 1/8" DEEP J-BOX WITH 1 1/2" EXTENSION RING FOR BB & NB MODELS

SURFACE MOUNT



RECESSED MOUNT



ORDERING INFORMATION: EXAMPLE: CAEBB-1RCW-NA-TW-DG

MODEL SERIES	OPERATION	NO. of FACES	LETTER COLOR	BACKGRD COLOR	STANDARD TRIM FINISH	ARROW DIRECTION	MOUNT	OPTIONS
CAE	BB= Battery Backup NB= No Battery (Ac Only) REC=Remote with Central Battery System	1= Single 2= Double	R= Red G= Green	C= Clear (SF) M= Mirror (DF) For Other Options See Above	BA= Brushed Aluminum W= White	NA= No Arrow AR= Arrow Right > AL= Arrow Left < AB= Arrow Both <> Double Face Signs: NA= No Arrow LR= Single Arrow Each Side > AB= Double Arrow Each Side <>	Universal Top or Wall TW= Top or Wall	See Above

Signtex Inc
LIGHTING
220 VFW Avenue, Grasonville, MD 21638
TEL: (410) 827-8300 Fax: (410) 827-8866
sales@signtexinc.com www.signtexinc.com

DISTRIBUTOR:

