

CASTEX

WET | IP67 | IK09 | HAZARDOUS



HIGH BAY

- **CASTEX** is a hazardous location LED lighting fixture Class I Division 2, Groups A,B,C and D; Group II, Zone 1 & Zone 2; Zone 21 & 22.
- The **CASTEX** comes standard in gray with a surface/wall mount bracket.
- **HOUSING:** aluminum alloy.
- **COLOR TEMPERATURES:** 3000K, 4000K and 5000K.
- **LUMENS:** **LO:** 3000 lm
MO: 11000 lm
HO: 20000 lm
- **OPERATING TEMP:**
HT (AC Only) -40°F up to 122°F (-40°C to 50°C)
- **WEIGHT:** **LO:** 8.8 lbs/ 3.9 kg
MO: 11 lbs/ 4.9 kg
HO: 17 lbs/ 7.7 kg



APPLICATION: The **CASTEX** is ideal for heavy industry, mining, refineries, chemical industry, coastal marine facilities and corrosive applications.

CONFIGURATIONS

MODEL	OPERATION	OUTPUT	COLOR TEMP	DISTRIBUTION	INPUT	MOUNTING ²
CAS	HT (AC only)	LO	WT30 (3000K)	WBD ¹ (wide beam)	120-277V	PK ³ (pendant kit)
		MO	WT40 (4000K)			
		HO	WT50 (5000K)			

NOTE 1: Wide beam distribution (WBD) is standard.

NOTE 2: MB (surface/wall mount bracket) is standard. Bracket is aimable 90° both sides with -22.5° increments (standard). Connection from J-box to fixture must be metal solid or flexible conduit (by others). Explosion rated J-box by others.

NOTE 3: Specify length for PK: 12", 24", 48", for other specify. J-box by others. Explosion rated J-box by others.

TECHNICAL INFORMATION

- 3mm THICK STEEL MOUNTING BRACKET (ADJUSTABLE) WITH GRAY POWDER COAT FINISH IS STANDARD
- 18/3 - CONDUCTOR POWER CORD (AC INPUT); 6FT IN LENGTH
- CAST ALUMINUM DRIVER COMPARTMENT WITH GRAY POWDER COAT FINISH; WITH 3/4 NPT THREADED CONNECTION
- ELECTRONIC 1-10V DIMMING DRIVER FOR 120-277V 50/60Hz (10-100%); OPERATION. (SYSTEM POWER CONSUMPTION 30W)
- 18/2-CONDUCTOR LOW VOLTAGE CORD (DIMMING); 6FT IN LENGTH
- CAST ALUMINUM HEAT SINK WITH GRAY POWDER COAT FINISH
- LED CIRCUIT BOARD
- TRIM RING WITH SILVER POWDER COAT FINISH
- 4mm THICK TEMPERED GLASS LENS

MOUNTING OPTIONS

STANDARD

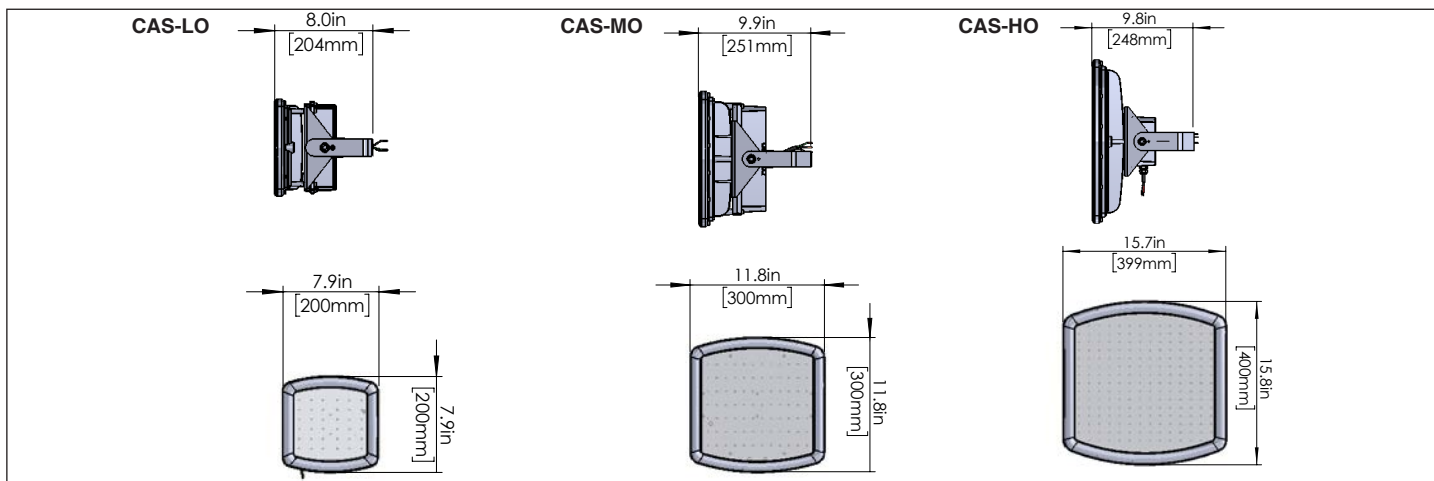
MB (surface wall/mount bracket)
(AIMABLE 90° BOTH SIDES -22.5° INCREMENTS)

OPTIONAL

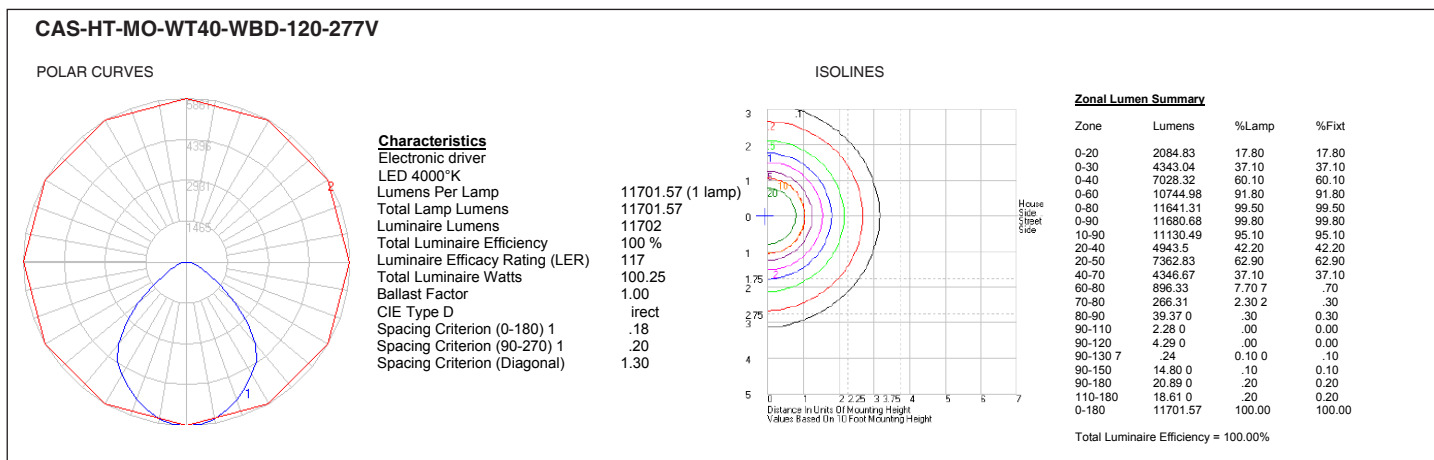
PK (pendant kit)
(TYP. 12", 24", 48", other specify)

3/4 NPT STEM

DIMENSIONS



PHOTOMETRICS



ENERGY CHART

MODEL	EFFICACY	CONSUMPTION WATTAGE	LUMEN OUTPUT	CRI	L70 (hrs.)
CAS-HT-LO-WT40-WBD-120-277V	112 lm/W	30	3132	>70	>54,000
CAS-HT-MO-WT40-WBD-120-277V	117 lm/W	100	11702	>70	>54,000
CAS-HT-HO-WT40-WBD-120-277V	115 lm/W	200	21313	>70	>54,000

ELECTRICAL RATING

PRODUCT	NOMINAL POWER (W)	AC CURRENT (A)		FREQUENCY (HZ)	DC VOLTAGE (V)	DC CURRENT (MA)
		120V	277V			
CAS-HT-LO	30	0.26	0.11	50/60	41	760
CAS-HT-MO	100	0.85	0.37	51/60	38	2100
CAS-HT-HO	200	1.7	0.74	50/60	40	4600

DIMMER COMPATIBILITY

DIMMER	COMPATIBILITY	
	ON / OFF	DIMMING
LEVITON - AWRMG-7	YES	YES
LUTRON - DIVA DVSTV	YES	YES

■ **WARRANTY:** 5 years warranty, see website for full warranty details.