

## CPN6 Series

Extruded aluminum edge-lit combo



### Construction

- Extruded aluminum housing and trim plate
- Brushed aluminum finish
- Trim plate includes two fully tool-free adjustable, 2.5W LED heads, 400 Lumens each
- Acrylic panel featuring 6 inch silk-screened EXIT legend with field selectable chevrons
- Single face red or green on clear, double face red or green on mirror

### Mounting

- Wall and ceiling surface and recessed mount
- Universal mounting on wall or ceiling, for surface or recessed applications
- Adjustable bar hanger included for recessed applications

### Electronics

- High temperature long life Nickel Metal Hydride battery provides 90 minutes of emergency operation
- 120/277VAC 60Hz
- Optional: Self-Diagnostics

### Approvals

- UL 924 listed
- Damp location 41°F to 104°F (5°C to 40°C)

### Warranty

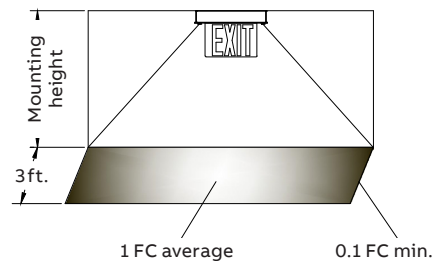
- Unit has a three-year limited warranty

Detailed warranty terms located online at:

[www.emergi-lite.com](http://www.emergi-lite.com)

### Photometric performance

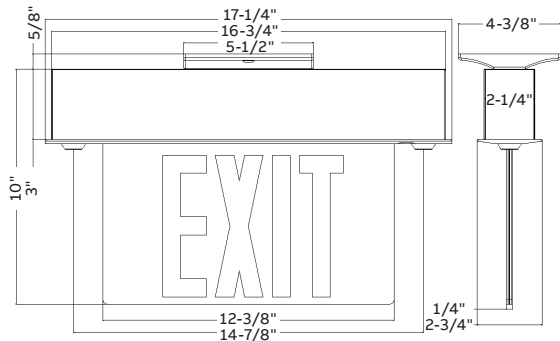
| Series | Spacing center-to-center (feet) | 7.5' mounting height |
|--------|---------------------------------|----------------------|
| CPN*6  |                                 | 30'                  |



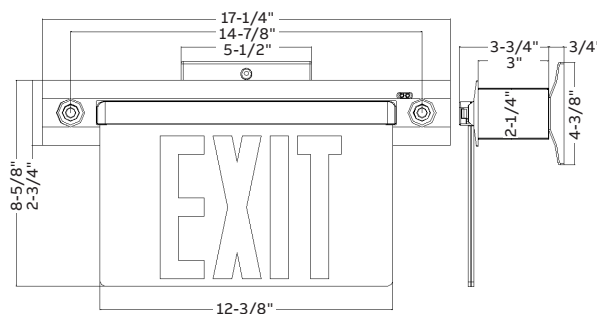
**Dimensions**

Dimensions are approximate and subject to change.

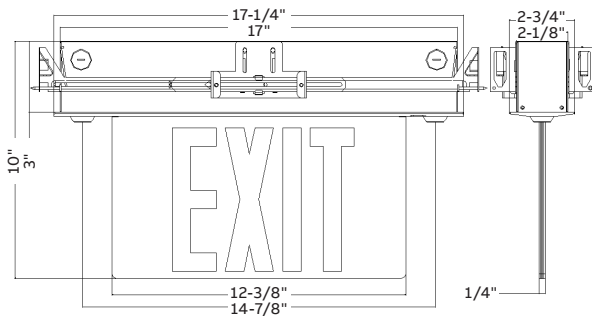
Surface ceiling mount



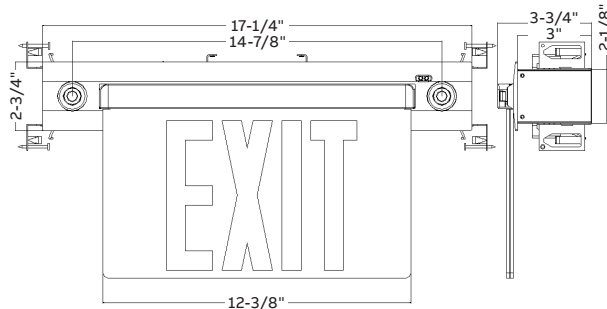
Surface wall mount



Recessed ceiling mount



Recessed wall mount



**Power consumption**

| Series       | AC input         | Voltage | Battery      |
|--------------|------------------|---------|--------------|
| CPNR6-2HO    | 120/277VAC, 60Hz | 3.6V    | NiHM 1800mAH |
| CPNG6-2HO    |                  |         | NiHM 1800mAH |
| CPNR6-2HO-AD |                  |         | NiHM 2500mAH |
| CPNG6-2HO-AD |                  |         | NiHM 2500mAH |

**How to order**

| Model     | Series            | Legend color         | Legend  | Heads                           | Options                                   |
|-----------|-------------------|----------------------|---|---------------------------------|---|
| C = Combo | PN = Self-powered | R = Red<br>G = Green | 6 = 6" EXIT single and double face with universal chevrons and mounting for surface or recessed | 2HO = Two high output LED heads | Blank = Standard<br>AD = Self-Diagnostics |

**Example: CPNR6-2HO-AD**