

CTX6 Series

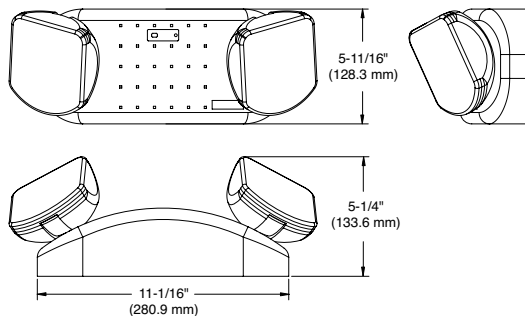
COMPAC Thermoplastic Units

Features

- **CODES AND STANDARDS** – UL listed to Standard 924. NFPA-101, NEC
- **VOLTAGE INPUT** – 120/277 VAC selectable input.
- **BATTERY/ELECTRONICS** – Six volt maintenance-free lead acid battery with temperature range 65°F to 85°F. Standard emergency electronics provide a state-of-the-art self-diagnostic/ self-test circuit. All emergency units have

built-in circuitry protection/ low-voltage battery disconnect and transformer isolation. Solid state charger, test switch and green LED AC status indicator; along with three red fault indicators.

Dimensions



Xtest

- Xtest self-diagnostic/self-testing management system is standard.
- Multiple LED indicators flash warnings when attention is needed
 - Micro-controller verifies all systems operation
 - Exceeds all UL and NFPA requirements for self-testing.
 - Full open circuit testing every hour.



mcPhilben's CTX6 is a ruggedly constructed, low profile emergency fixture that has an improved appearance and performance. The CTX6 meets the demands of today's emergency lighting market with a new contemporary design and Xtest self-test/self-diagnostic circuitry. With its small compact housing, the CTX618 unit is the smallest 18 watt thermoplastic emergency unit available.

Additional Features

- **Construction** – Flame-rated, UV stable, ABS thermoplastic housing. Features a snap-together quick mount design and a universal J-box mounting pattern.
- **Finish** – All units are available in white or black.
- **Lamp Heads** – The external square style lamp heads utilize an innovative track system that allows for a full range of adjustment. The standard unit has 6 volt, 5.4 watt tungsten lamps. Units with "H" option contain two 6 volt, 6 watt halogen lamps. The 18 watt unit comes standard with 9w tungsten lamps.
- **Warranty** – Five years on unit (lamps not included).

Green Product Choice: CTX6

Catalog Number	Voltage	Wattage	Remote ¹	Housing Color	Lamp Type
CTX6	6	12w	none	White	5.4w tungsten
CTX6B	6	12w	none	Black	5.4w tungsten
CTX6H	6	12w	none	White	6w halogen
CTX6BH	6	12w	none	Black	6w halogen
CTX618	6	18w	none	White	9w tungsten
CTX618R	6	18w	6w	White	5.4w tungsten
CTX618HR	6	18w	6w	White	6w halogen

Accessories

- **WG4** – Wire Guard
- **PVS1** – Polycarbonate Vandal Shield
- **RLT** – Remote Laser Transmitter

Options

- **DR** – Damp Location Rating
- **TD** – Time Delay (15 minutes)
- **LX** – Laser activation of manual test via handheld remote laser tester; RLT (sold separately).
- **LS** – Less Self-test of lamps.

Footnotes

¹Refer to ERA6015.2 for matching remote lamp heads.

Note

Note: Refer to page 641 for matching remote lamp heads.