

DATE:	LOCATION:
TYPE:	PROJECT:
CATALOG #:	

ELOR Series

OUTDOOR LED REMOTE FOR ELSS CENTRAL BATTERY

FEATURES

- Designed specifically for use with the ELSS Central Battery
- Provides outdoor LED path of egress illumination for up to 62' side to side spacing with 31' forward throw
- 3 High-Power LED's with adjustable lamp positioning
- White, Black and Dark Bronze finish



RELATED PRODUCTS

- [ELSS Central Battery](#)
- [ELIR Indoor LED Remote](#)
- [ELWR Industrial Remote](#)



SPECIFICATIONS

APPLICATION

- Remotes do not include a battery which minimizes individual batteries throughout the space
- For use in new construction or retrofit
- For installation in commercial and architectural applications
- Mount from 7' to 20' high
- Small and compact size for architectural settings
- Eliminates battery maintenance in high mount applications

CONSTRUCTION

- Housing and front cover constructed of die-cast aluminum, polycarbonate cover and LED lens
- Includes 1/2" conduit entry at top center of fixture
- Fully gasketed with Ball and Socket fasteners

INSTALLATION

- Universal mounting template molded in the back of housing
- Input/output connection through surface conduit or wire entry from outlet box at rear of unit
- Unit mounts to all single gang and standard 3 1/2" and 4" square or octagonal electrical boxes

ELECTRICAL

- 120 or 277VAC input, 50/60Hz
- Emergency version includes push-to-test, AC-on indicator with fault code display
- Emergency models supplied with a 9.6 VDC Lithium Iron Phosphate battery
- AC-only version includes 0-10V Dimming

OPERATING TEMPERATURE RANGE

- Wet Location Listed: -4° to 122°F (-20° to 50°C)

COMPLIANCES

- Wet Location Listed to UL924 Standard
- Designed to NFPA101, NFPA70 requirements
- FCC Certified

WARRANTY

- Full 5 year warranty
- See [HLI Standard Warranty](#) for additional information

ORDERING GUIDE

Example: ELIR2

CATALOG #

Catalog Number	Description
ELORW	3 LED, 933 lumens, 8 watts, white finish
ELORB	3 LED, 933 lumens, 8 watts, black finish
ELORDB	3 LED, 933 lumens, 8 watts, dark bronze finish

KEY DATA	
Lamp Color	5000K
Total Lamp Output	
System Efficacy (LPW)	
Rated LED Lifecycle (Hours)	

DATE: _____ LOCATION: _____

TYPE: _____ PROJECT: _____

CATALOG #: _____

ELOR Series

OUTDOOR LED REMOTE FOR ELSS CENTRAL BATTERY

Accessories

- ELSS** Central Battery
- ELOR** Outdoor LED Remote
- ELWR** Industrial NEMA 4X/IP66 Remote
- EVE4X-DC** Thermoplastic Exit Sign
- EVE4X-DC** DC NEMA 4X Exit Sign



ELSS Central Battery



ELIR Indoor Remote



ELWR NEMA 4X Remote



EVE-DC Thermoplastic Exit Sign



EVE4X-DC NEMA 4X/IP66 Exit Sign

ELECTRONICS

The ELOR Outdoor LED remote includes a current sensitive LED driver module which regulates battery power at 800mA. An input and output connector provides input power to drive the LEDs. The input connection is not polarity sensitive. The output connector allows for multiple remotes to be connected in a daisy-chain. Remotes must be connected within 150' of the Central Battery which provides DC power when normal AC power is lost.

LED Information

CCT: 5000K

CRI: XX

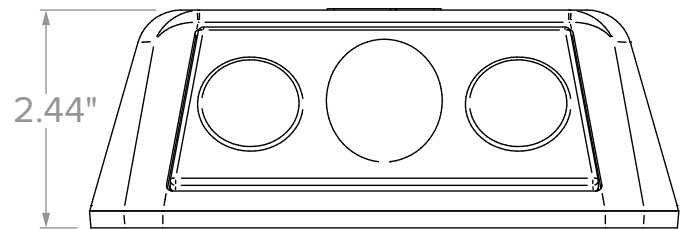
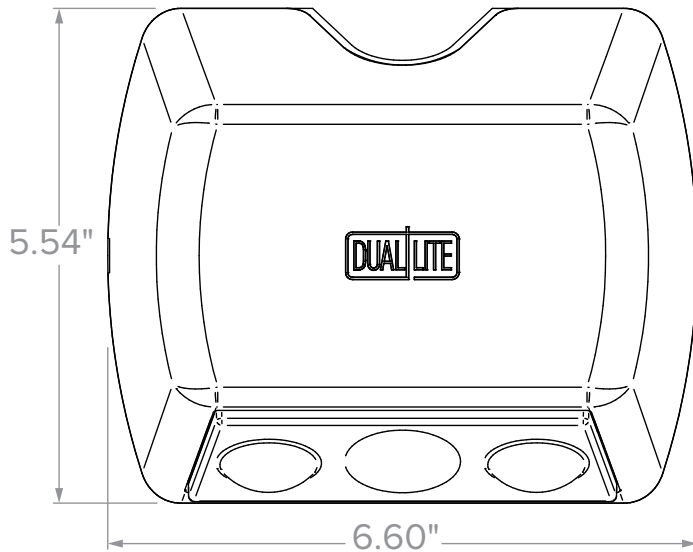
REMOTE LOAD GUIDE



ELOR Outdoor Remote

Part Number	Required Watts	Spacing (7.5MH)
ELOR	8W	20' Fwd x 60' Side

DIMENSIONS



DATE: _____ LOCATION: _____

TYPE: _____ PROJECT: _____

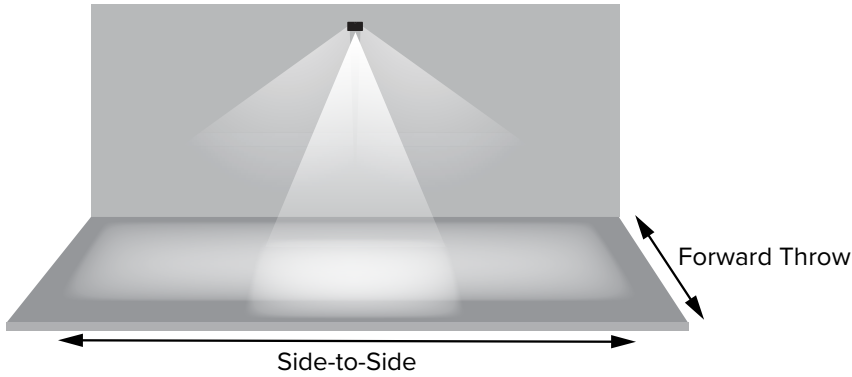
CATALOG #: _____

ELOR Series

OUTDOOR LED REMOTE FOR ELSS CENTRAL BATTERY

APPLICATION INFORMATION

Single Unit Coverage



ELOR	Indoor	Outdoor
1 FC Average (Side X Forward)	62' x 31'	62' x 27'

Mounting Height: 9'
Side-To-Side: 6'
Outdoor Reflectance: 0/30/10
Indoor Reflectance: 80/50/20

PHOTOMETRY

ELOR

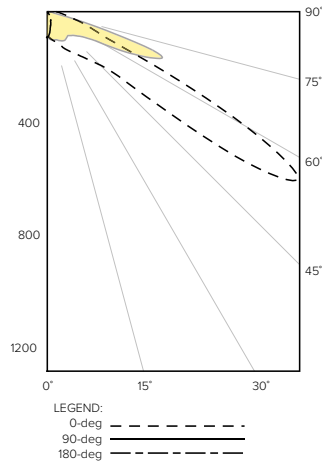
LUMINAIRE DATA

Test No.	21.00113
Description	Outdoor Remote
Watts	8.3
Efficacy	90.5 lm/W
Mounting	Surface/Wall
Spacing Criterion	
0-DEG	3.93
90-DEG	1.86
180-DEG	0.54

ZONAL LUMEN SUMMARY

Zone	Lumens	% Luminaire
0-40	150	20.1
0-60	453	60.6
0-90	739	99
0-180	747	100

POLAR GRAPH



CANDELA DISTRIBUTION

Angle	Candela (0.0)
0	91
5	91
15	109
25	143
35	184
45	269
55	1042
65	294
75	99
85	46
90	32