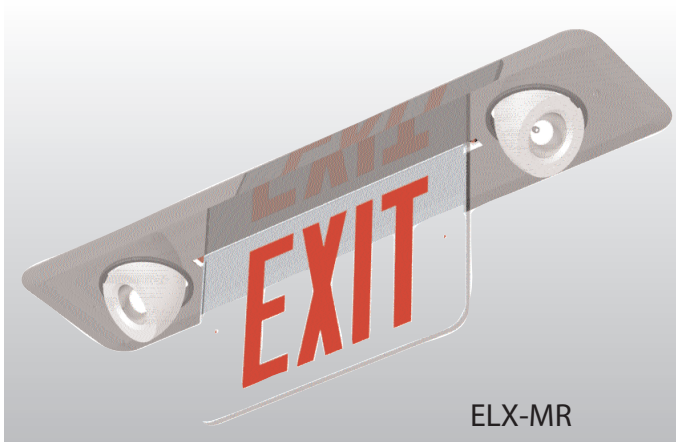




TYPE \_\_\_\_\_

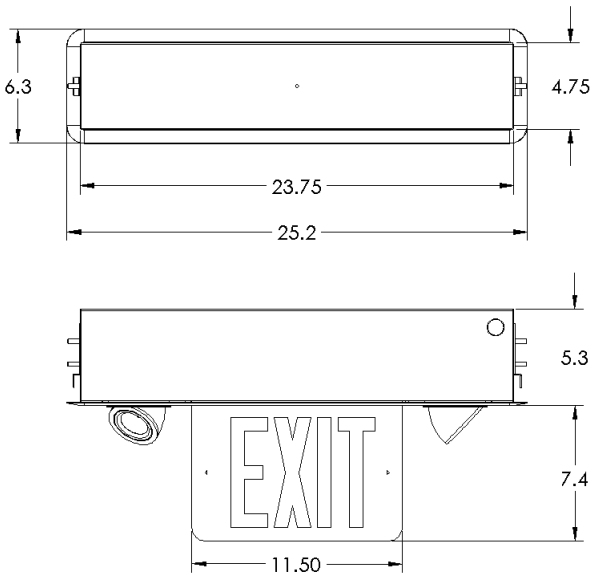
CATALOG# \_\_\_\_\_

## ELX-MR Combination Edge-Lit Exit



ELX-MR

Ceiling Mount Only



### GENERAL DESCRIPTION

The Light Style Edge-Lit Combination Exit provides a thin profile design that complements upscale commercial and retail architectural applications. Exit illumination is provided with the highest quality LEDs (AlInGaP) for even light distribution and trouble free operation. The telescoping heads, utilizing 10 Watt MR-16 Halogen lamps, provide great illumination at the point of egress.

### HOUSING

Recessed ceiling mount design provides the contractor with on-the-job easy installation.

### TRIM PLATE

Brushed Aluminum standard finish. Also available in your choice of anodized or powder coated finishes. (See Options below.)

### EXIT DESIGN

The face design features 6" letters with 3/4" stroke. Directional indicators are custom field installable. Meets UL and NFPA standards.

### MR-16 ADJUSTABLE HEADS

Utilizing two 10 Watt MR-16 lamps and telescoping head design, the ELX-MR provide both great illumination and 360 degrees adjustability. Matching remote heads and optional 10 Watts remote are also available.

### ELECTRONICS

Input is standard dual volt 120/277 60Hz. This unit features solid state design with Low Voltage Disconnect (LVD), AC lockout, brown out protection, and AC indicator LED with test switch. Provides 90 minutes of illumination upon loss of power. Battery is maintenance free sealed lead acid with an estimated service life of 5 years. Optional Nickel Cadmium battery available.

### CODE COMPLIANCE

UL 924 listed. Meets NFPA, NEC, and OSHA illumination standard.

### WARRANTY

5 years on housing and electronics and a 5 year pro rated warranty on battery.

LIGHT STYLE SERIES™

ELX-MR

Model Number

Extruded Aluminum Exit With MR-16 Halogen Lamps. Ceiling Recessed Mounting Only

No. of Faces

1=Single  
2=Double

1=Single  
2=Double

Letter Color/ Background

RC=Red on Clear\*  
RW=Red on White  
RB=Red on black  
RM=Red w/mirrored  
GC=Green on Clear\*  
GW=Green on White  
GM=Green w/ Mirrored  
GB=Green on black

\* single sided only

Trim Colors/finish

\*BA=Brushed Aluminum (Standard)  
WH=Powder Coated White Trim plate  
BLK=Powder coated Flat Black Trim Plate  
DB=Dark Bronze Finish  
BR=Brass Type Face Plate

\*Standard

Factory Installed Options

REM Remote 6v 10 Watt output.  
SD Self Diagnostic  
NC NiCad Battery  
220 220VAC 50/60HZ INPUT

