



GNSD

Genie MR16 Fully Recessed Emergency Light

DATE:

PROJECT

COMMENTS:

FEATURES

- Fully self-contained emergency light that can be recessed into walls or ceilings.
- Virtually invisible during normal lighting conditions.
- Four selectable lamp positions for each lamp ensures optimum light distribution.
- Can be field painted or wall-papered to seamlessly blend with architecture.
- UL listed for 90 minutes of emergency run time.
- Advanced microprocessor self-diagnostics are standard on all units.
- Universal backbox can be pre-shipped for pre-installation at job-site.
- Discreet, automatic monthly self-diagnostics monitors lamp load transfer circuit, battery capacity, door operation, and motor drive to ensure proper functioning during an emergency.
- Optional infra-red remote transmitter has selectable 30 second or 90 minute tests.
- No gears, cogs, limit switches, or sensitive solenoid setting to jam or fail.
- Self adjusting frame trim and door assembly with construction.
- Textured white powder, coated die-cast zinc frame and door. No external mounting hardware is required.
- Suitable for mounting heights up to 50', depending on lamp wattage selected.
- Reliable, continuous cam, precision DC motor drive is used for smooth extension and retraction.
- Solid state microprocessor controlled circuitry is used for increased reliability.
- Line-latch prevents unnecessary discharge of battery during installation.
- Brownout sensing ensures emergency operation during periods of low line voltage.
- LED indicator and push-to-test button is provided standard in all units for manual testing.
- 120/277 VAC with field selectable inputs.



CLICK THE IMAGE TO VIEW ALTERNATE PRODUCT PHOTOS
Only available with Adobe Acrobat and Acrobat Reader

ORDERING INFORMATION *GNSD-LC-20LC2H-MR*

1. SERIES

GNSD

2. OPERATION

20LC2H 2 Hour Lead Calcium Battery 20 Watt MR-16 Lamps
 35LC2H 2 Hour Lead Calcium Battery 35 Watt MR-16 Lamps
 50LC2H 2 Hour Lead Calcium Battery 50 Watt MR-16 Lamps
 12LC3H 3 Hour Lead Calcium Battery 12 Watt MR-16 Lamps
 35LC3H 3 Hour Lead Calcium Battery 35 Watt MR-16 Lamps
 12LC4H 4 Hour Lead Calcium Battery 12 Watt MR-16 Lamps
 20LC4H 4 Hour Lead Calcium Battery 20 Watt MR-16 Lamps
 50LC90 90 Minute Lead Calcium Battery 50 Watt MR-16 Lamps
 75LC90 90 Minute Lead Calcium Battery 75 Watt MR-16 Lamps

50NC2H 2 Hour Ni-Cad Battery 50 Watt MR-16 Lamps
 20NC2H 2 Hour NiCad Battery 20 Watt MR-16 Lamps
 35NC2H 2 Hour NiCad Battery 35 Watt MR-16 Lamps
 12NC3H 3 Hour NiCad Battery 12 Watt MR-16 Lamps
 35NC3H 3 Hour NiCad Battery 35 Watt MR-16 Lamps
 12NC4H 4 Hour NiCad Battery 12 Watt MR-16 Lamps
 20NC4H 4 Hour NiCad Battery 20 Watt MR-16 Lamps
 50NC90 90 Minute NiCad Battery 50 Watt MR-16 Lamps
 75NC90 90 Minute NiCad Battery 75 Watt MR-16 Lamps

3. MOUNTING

MRLB Recessed / PRESHIP Back Box (Must order GNSD-ACCY-RBB)
 MR Recessed / Ship complete

4. OPTIONS

BLANK = NO OPTION
 CP Chicago Plenum Listed
 LD Damp Location
 RL Fused Remote Output Leads

RT Remote Diagnostic Status Display Panel
 TD Time Delay - 120/277 VAC (15 min)
 CC Custom Color

ACCESSORIES; ORDER SEPARATELY

- **GNSD-ACCY-RBB** = Pre-ship backbox for GNSD
- **TLRT** = Infrared Remote Control

SPECIFICATIONS
CONSTRUCTION

- Textured white powder coated, die-cast zinc frame and door

OVERALL SIZE

- Front Panel: 14.4375" x 7.625"

ROUGH-IN SIZE

- 13.5" x 6.75"

TEMPERATURE RATING

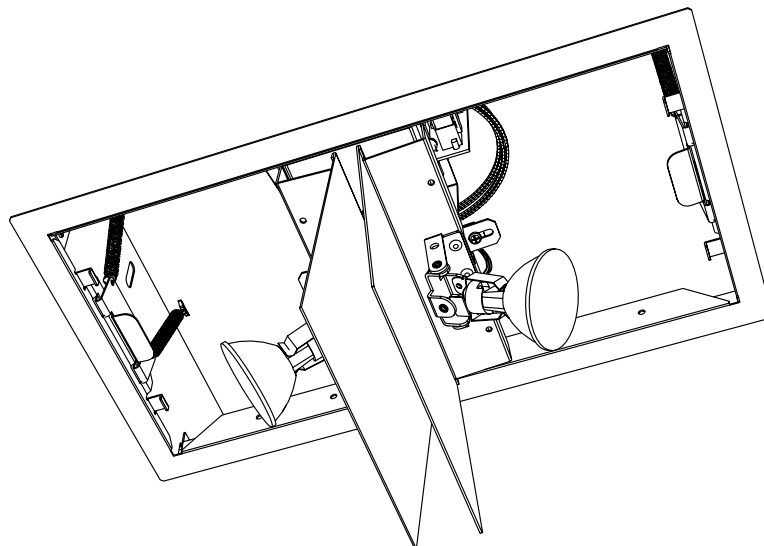
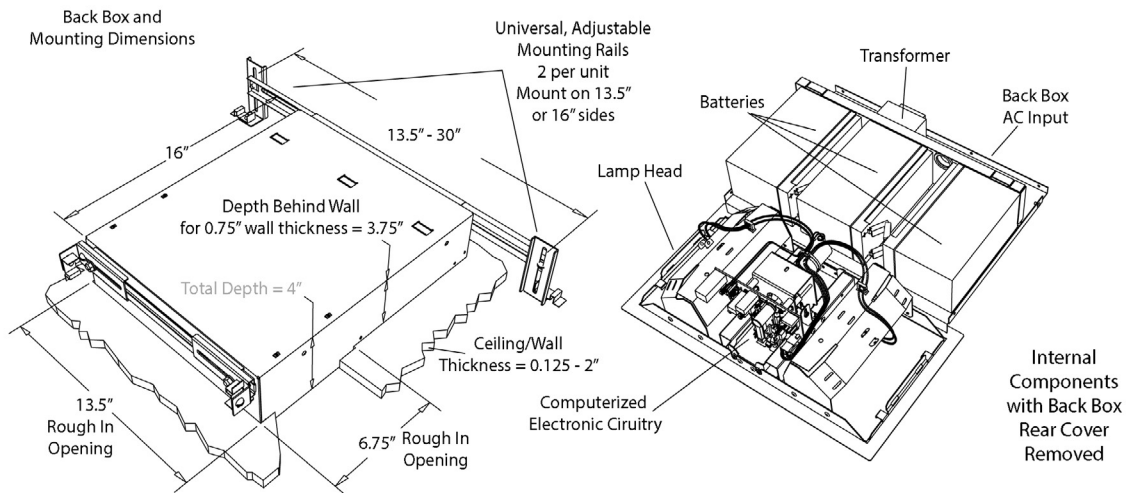
- LC: From 45°F to 85°F
- NC: From 32°F to 102°F

APPROVALS

- UL 924
- NY City approved calendar #48850
- NFPA 101 Life Safety Code
- NFPA 70-NEC
- OSHA

WARRANTY

- Isolite offers a 5-year limited warranty. For further details, refer to General Warranty and Obligations in the Isolite manual or on our website. Lamps not warranted.

DIMENSIONS


Adjustable Lamp Holder