

Emergency Lighting



LEMRO

LED Emergency Light with Rotatable Optics

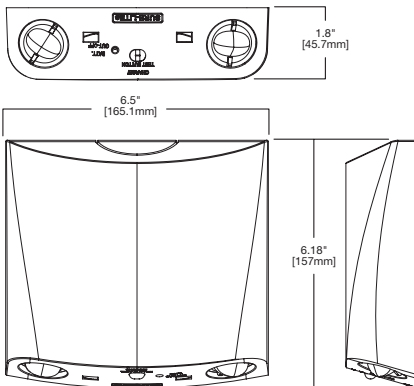
Features

- Aesthetic, compact, thin profile design blends into commercial spaces
- AccuLED adjustable optics optimize coverage up to 25'
- EZ Hang simplifies installation and reduces labor
- EZ Key battery disconnect simplifies installation and protects the battery
- Five-year product warranty
- Fifteen-year prorated battery warranty
- Maintenance-free NiCad battery and LED
- UL 924 damp location listed; 0°C to 40°C rated; 120V/277V

ORDERING INFORMATION

SAMPLE NUMBER: LEMRO

Emergency Light	Color
LEMRO=Two head unit; No remote capability	[Blank]=White



Product Features



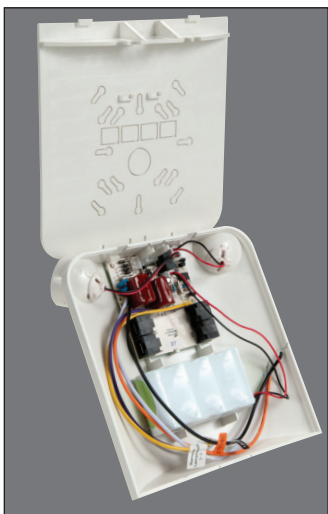
EZ Click RJ 45 Connection

The EZ Click RJ 45 / Ethernet connection option reduces the cost of labor and materials through an internal power connection. The Class 2 connection avoids the labor and expense associated with conduit and junction box infrastructure (code dependent). PathLinx remotes can also be connected in series via low voltage DC.



EZ Key Power Disconnect

The patented EZ Key is an external battery disconnect that allows the product to be shipped with the battery connected internally. This prevents battery drain during the construction cycle to ensure that the battery isn't damaged and is fully charged for inspection. EZ Key also saves the labor of internally connecting the battery after construction is complete.



EZ Hang Installation Feature

The EZ Hang feature allows the installer to mount the back plate first so that both hands are available for wiring. The fixture hangs from the back plate during the wiring process and then snaps into place.



AccuLED Optics

Patented AccuLED precision engineered optics display sharp cutoffs and an oval light pattern. This optimizes the path of egress per UL924 standards, resulting in fewer fixtures required as compared to similarly priced competitive products. The lens swivel feature within the AccuLED optics provide the opportunity of forward-throw of egress lighting and has a full 360° of rotation.

AccuLEDOptics™

Technical Information

Fixture	Accu LED Optic Coverage	EZ Hang Installaiton	EZ Key Disconnect	Remote Supported
LEMRO	25'	Yes	Yes	No
LEM	29'	Yes	Yes	No
LEM 2	29'	Yes	Yes	2
LEM 4	29'	Yes	Yes	4

Fixture	Eagle Eye SD Option	Dimensions 3D	Warranty Fixture	Battery
LEMRO	No	6.5" x 6.18"x1.8"	5 year	15 pro rated
LEM	Yes	6.5"x5.87"x2.0"	5 year	15 pro rated
LEM 2	Yes	7.5"x7.5"x2.0"	5 year	15 pro rated
LEM 4	Yes	7.5"x7.5"x2.0"	5 year	15 pro rated

Remotes	Accu LED Optic Coverage	UL 924 Rating	EZ Click Option	Compatible with	Warranty Fixture
LEMR1	14.5'	Damp location	Yes	LEM 2/4	5 year
LEMR2	29'	Damp location	Yes	LEM 2/4	5 year
6LEM85	14.5'	Damp location	No	Any 6V	5 year
6LEM85D	29'	Damp location	No	Any 6V	5 year
LEMWR1	14.5'	Wet location	Yes	LEM 2/4	5 year
LEMWR2	29'	Wet location	Yes	LEM 2/4	5 year
6LEM85W	14.5'	Wet location	No	Any 6V	5 year
6LEM85DW	29'	Wet location	No	Any 6V	5 year

Expanded Fixture Spacing

The utilization of LED technology has allowed Sure-Lites to increase the distance between PathLinx fixtures, while meeting UL924 standards for egress lighting. PathLinx products have spacing capabilities that are up to 50% greater than traditional incandescent emergency lighting, reducing the overall cost of egress lighting.

