



LPDC

Die-Cast Aluminum LED Exit Sign

DATE:	COMMENTS:
PROJECT:	

FEATURES

- Illumination 4 times brighter than UL 924 requirement with super-bright, long-life LEDs that have a 25+ year life expectancy.
- Premium long-life, high-temperature fused nickel cadmium battery.
- Line-latch prevents unnecessary discharge of battery during installation. Loads will not illuminate until after application of utility power.
- Special wording and/or custom graphics available with white LEDs upon request.
- Brownout detection ensures emergency operation during periods of low line voltage.
- Self-Test/Self-Diagnostic monitoring available.
- Zero current low-voltage disconnect used to prevent battery from overly discharged.
- Unique, electronic driver circuit provides current control and protection, ensuring optimum LED efficiency and life.
- Fine grain brushed aluminum stencil trim standard with specialty finish upon request.
- 120/277 VAC with field selectable inputs (with the exception of the C1/C2 (Dual Circuit) option which requires voltage specification upon ordering).
- Sealed external momentary test switch and dual diagnostic LED indicator displays AC presence and Hi-Charge status.



CLICK THE IMAGE TO VIEW ALTERNATE PRODUCT PHOTOS
Only available with Adobe Acrobat and Acrobat Reader

ORDERING INFORMATION LPDC-AC-G-1-BA-BA-MB

1. SERIES	2. OPERATION	3. ILLUMINATION	4. FACE COUNT	5. FACE & FRAME COLOR
LPDC	-	-	-	-
	AC AC Only EM Ni-Cad Battery Backup	G Green R Red	1 Single 2 Double	BA-BA All Brushed Aluminum BA-BK Brushed Aluminum Face / Black Body BA-WH Brushed Aluminum Face / White Body BK-BK All Black WH-WH All White CC Custom Color
6. MOUNTING	7. OPTIONS			
MB Back Mount MTEB Top/End/Back Mount MPA 12" Pendant Mount MPB 24" Pendant Mount MPC 36" Pendant Mount MPD 48" Pendant Mount MRW Recessed Wall MRWLB Recessed Wall, Preship Backbox	BLANK = NO OPTION C1 Dual Circuit - 120 VAC (AC Only) C2 Dual Circuit - 277 VAC (AC Only) SD Self-Diagnostics (EM Only) SR Self-Diagnostics + IR Remote Testing Receiver (EM Only) EEW Extended Electronics Warranty FLA Flasher/Audible Alarm	FA Fire Alarm Interface FAA FA Option w/ Audible Alarm LD Damp Location VM Voltmeter VR 1/8" Vandal Resistant Lens (Includes TP) FL Flasher		

ACCESSORIES; ORDER SEPARATELY

- **WG-16.5LX14.0WX3.0D** = Wireguard, Length: 16.5", Width: 14", Depth: 3"
- **WG-16.5LX14.0WX6.0D** = Wireguard, Length: 16.5", Width: 14", Depth: 6"
- **WG-20.0LX19.0WX9.0D** = Wireguard, Length: 20", Width: 19", Depth: 9"
- **WG-26.0LX19.0WX9.0D** = Wireguard, Length: 26", Width: 19", Depth: 9"
- **LPDC-ACCY-RBB** = Recessed Backbox for LPDC
- **TLRT** = Infrared Remote Control



SPECIFICATIONS

CONSTRUCTION

- Injection molded internal cavity reflector provides ease of installation and maintenance together with perfectly even legend illumination.
- Heavy-duty, two piece walls are constructed using aluminum alloy walls.
- Removable, front stencil face includes overlapping light seal.
- Hidden knock-out access points and universal pattern.
- Optional recess frame, polycarbonate face shield with tamper proof access screws, and pendant & specialty mounts.

LETTERS

- 6.0" high; 0.75" stroke

ARROWS

- NFPA type, universal field selectable chevrons.

INPUT POWER

- AC models: Red 1.5W; Green 2.3W
- EM models: Red 2.5W; Green 3.0W
- EM w/Remote: Red 3.0W; Green 4.0

CANOPY SIZE

- 4.75" x 4.75" x 0.75"

WEIGHT

- AC: 4.5 lbs
- EM: 5.25 lbs

TEMPERATURE RATING

- From 32°F to 102°F

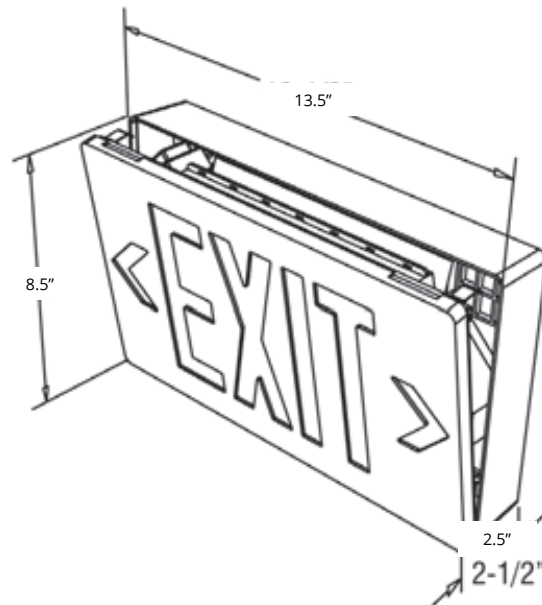
APPROVALS

- UL 924 Listed to 100ft Visibility Distance
- CEC Title 20 Compliant
- NFPA 101 Life Safety Code
- NFPA 70-NEC
- OSHA

WARRANTY

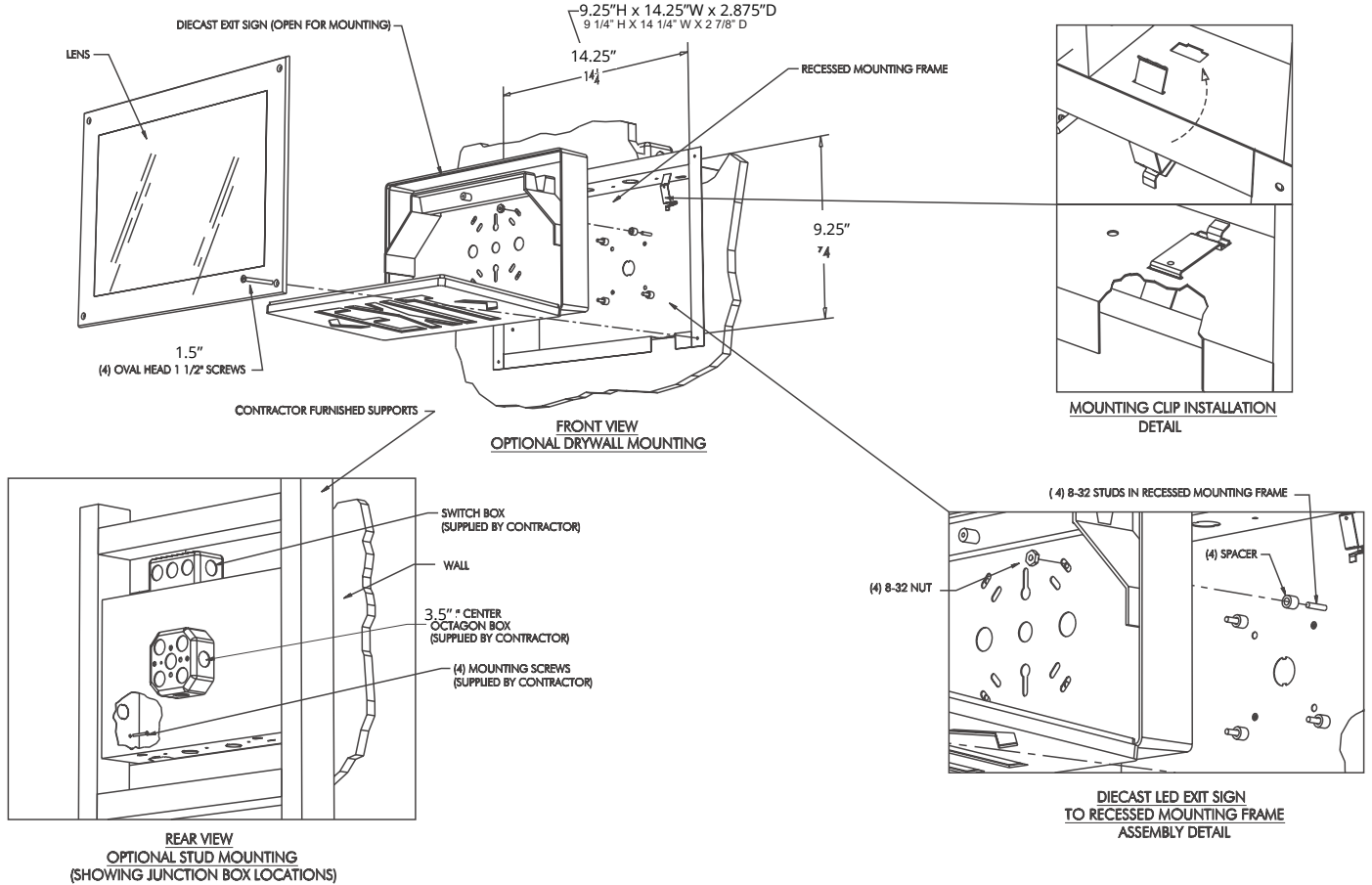
- Isolite offers a 5-year limited warranty. For further details, refer to General Warranty and Obligations in the Isolite manual or on our website.
- The EEW option extends the electronics warranty to 10 years. Batteries are not included in the extended warranty.

DIMENSIONS

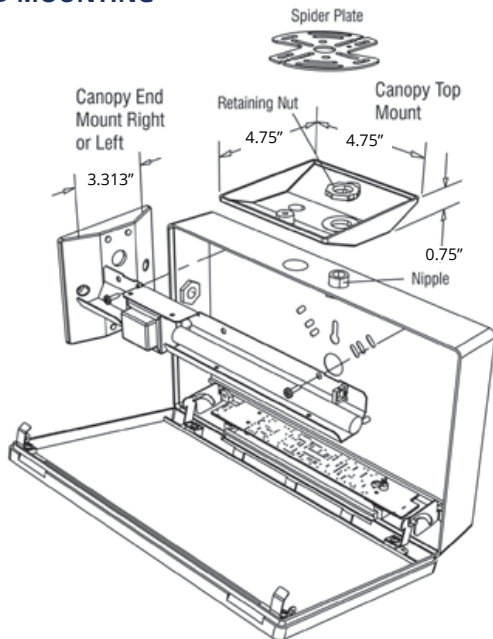


MOUNTING

INSTRUCTIONS FOR FULLY RECESSED MOUNTING



TOP & END MOUNTING



SWIVEL PENDANT MOUNTING

