



LPDCCG

Die-Cast Aluminum LED Exit Sign, Custom Graphics

DATE:	COMMENTS:
PROJECT:	

FEATURES

- Illumination 4 times brighter than UL 924 requirement with super-bright, long-life LEDs that have a 25+ year life expectancy.
- Premium long-life, high-temperature fused nickel cadmium battery with above standard UL listed 4 hour run-time.
- Standard battery diagnostic system monitors battery status, detects cell failure, and issues an alert when there's reduced capacity, indicating the need to replace the battery.
- Line-latch prevents unnecessary discharge of battery during installation. Loads will not illuminate until after application of utility power.
- Special wording and/or custom graphics available with white LEDs upon request.
- Brownout detection ensures emergency operation during periods of low line voltage.
- Sealed external momentary test switch and dual diagnostic LED indicator displays AC presence and Hi-Charge status.
- Self-Test/Self-Diagnostic monitoring available.
- Zero current low-voltage disconnect used to prevent battery from being overly discharged.
- Unique, electronic driver circuit provides current control and protection, ensuring optimum LED efficiency and life with specialty finish upon request.
- 120/277 VAC with field selectable inputs (with the exception of the C1/C2 (Dual Circuit) option which requires voltage specification upon ordering).
- Fine grain brushed aluminum stencil trim standard with specialty finish upon request.



CLICK THE IMAGE TO VIEW ALTERNATE PRODUCT PHOTOS
Only available with Adobe Acrobat and Acrobat Reader

ORDERING INFORMATION LPDCCG-AC-G-BK-1-BA-BA-MB

1. SERIES	2. OPERATION	3. ILLUMINATION	4. BACKGROUND COLOR	5. FACE COUNT
LPDCCG	-	-	-	-
	AC AC Only EM Ni-Cad Battery Backup	G Green R Red W White BL Blue	BL Blue Background BK Black WH White Background CC Custom Color	1 Single 2 Double
5. FACE & FRAME COLOR	6. MOUNTING			
BA-BA All Brushed Aluminum BA-BK Brushed Aluminum Face / Black Body BA-WH Brushed Aluminum Face / White Body BK-BK All Black WH-WH All White CC Custom Color	MB Back Mount MRW Recessed Wall MRWLB Recessed Wall, Less Back box MPA 12" Pendant Mount MPB 24" Pendant Mount MPC 36" Pendant Mount MPD 48" Pendant Mount MTEB Top/End/Back Mount			
7. OPTIONS				
BLANK = NO OPTION C1 Dual Circuit - 120 VAC (AC Only) C2 Dual Circuit - 277 VAC (AC Only) SD Self-Diagnostics (EM Only) SR Self-Diagnostics + IR Remote Testing Receiver (EM Only) CW Custom Wording	CW01 X-Ray In Use CW02 In Use CW03 Area of Refuge CW04 Laser in Use CW06 Beam On CW26 Area of Rescue Assistance		FA Fire Alarm Interface FAA FA Option w/ Audible Alarm FL Flasher FLA Flasher/Audible Alarm LD Damp Location VR 1/8" Vandal Resistant Lens (Includes TP)	

ACCESSORIES ON BACK

ACCESSORIES; ORDER SEPARATELY

- **WG-16.5LX14.0WX3.0D** = Wireguard, Length: 16.5", Width: 14", Depth: 3"
- **WG-16.5LX14.0WX6.0D** = Wireguard, Length: 16.5", Width: 14", Depth: 6"
- **WG-20.0LX19.0WX9.0D** = Wireguard, Length: 20", Width: 19", Depth: 9"
- **WG-26.0LX19.0WX9.0D** = Wireguard, Length: 26", Width: 19", Depth: 9"
- **LPDC-ACCY-RBB** = Recessed Backbox for LPDC
- **TLRT** = Infrared Remote Control

SPECIFICATIONS

CONSTRUCTION

- Injection molded internal cavity reflector provides ease of installation and maintenance together with perfectly even legend illumination.
- Heavy-duty, two piece, die-cast aluminum alloy walls.
- Removable, front stencil face with overlapping light seal.
- Hidden knock-out access points and universal pattern.
- Optional recess frame, polycarbonate face shield with tamper proof access screws, and pendant & specialty mounts.

LETTERS

- 6.0" high; 0.75" stroke

INPUT POWER

- AC models: Red 1.5W; Green 2.3W
- EM models: Red 2.5W; Green 3.0W
- EM w/Remote: Red 3.0W; Green 4.0

CANOPY SIZE

- 4.75" x 4.75" x 0.75"

WEIGHT

- AC: 4.5 lbs
- EM: 5.25 lbs

TEMPERATURE RATING

- From 32°F to 102°F

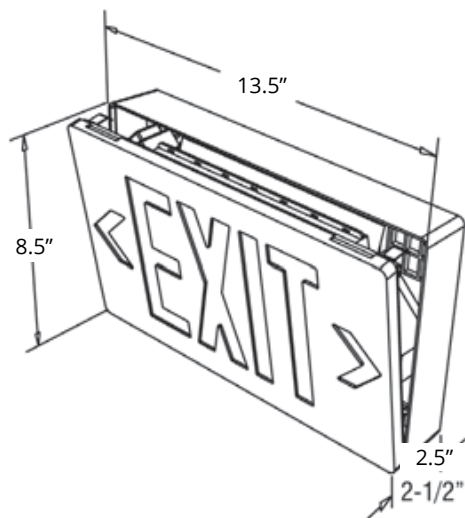
APPROVALS

- UL 924
- CEC Title 20 Compliant
- NFPA 101 Life Safety Code
- NFPA 70-NEC
- OSHA

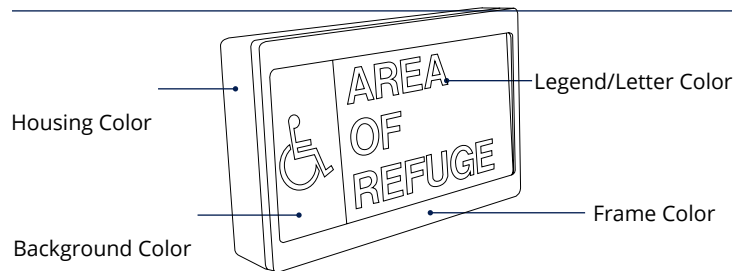
WARRANTY

Isolite offers a 5-year limited warranty. For further details, refer to General Warranty and Obligations in the Isolite manual or on our website.

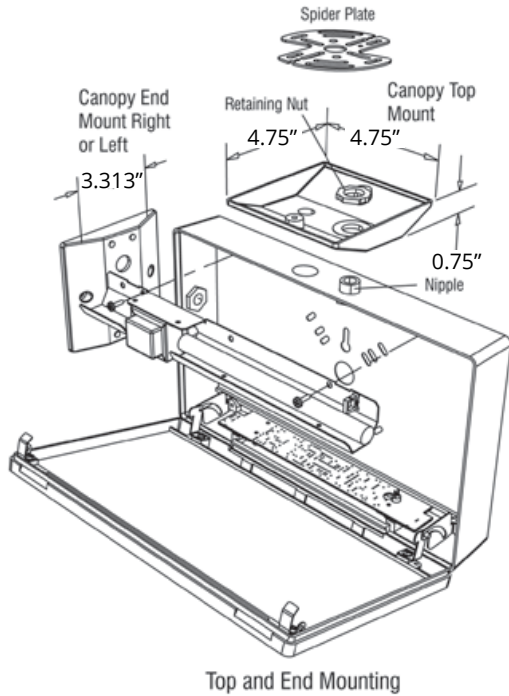
DIMENSIONS



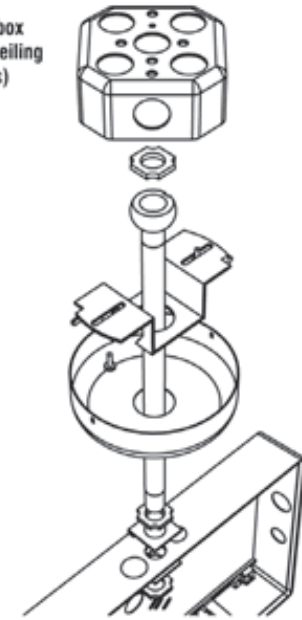
NOMENCLATURE



MOUNTING



Octagon junction box
(recessed in the ceiling
supplied by others)



Swivel Pendant Mounting

CUSTOM GRAPHICS

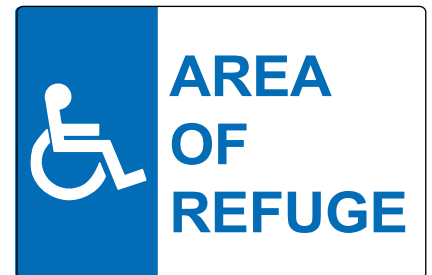
CW01



CW02



CW03



CW04



CW06



CW26

