



LPDCMR

Die-Cast Aluminum Master LED Exit Sign, Remote Exit Sign Capable

DATE:	COMMENTS:
<input type="text"/>	<input type="text"/>
PROJECT:	
<input type="text"/>	

FEATURES

- Illumination 4 times brighter than UL 924 requirement with super-bright, long-life LEDs that have a 25+ year life expectancy.
- Master exit sign compatible with ELTMR & TLREM2 remote exit signs.
- Line-latch prevents unnecessary discharge of battery during installation. Loads will not illuminate until after application of utility power.
- Brownout detection ensures emergency operation during periods of low line voltage.
- Sealed external momentary test switch and dual diagnostic LED indicator displays AC presence and Hi-Charge status.
- Self-Test/Self-Diagnostic monitoring available.
- Zero current low-voltage disconnect used to prevent battery from being overly discharged.
- Unique, electronic driver circuit provides current control and protection, ensuring optimum LED efficiency and life with specialty finish upon request.
- 120/277 VAC with field selectable inputs (with the exception of the C1/C2 (Dual Circuit) option which requires voltage specification upon ordering).



CLICK THE IMAGE TO VIEW ALTERNATE PRODUCT PHOTOS
Only available with Adobe Acrobat and Acrobat Reader

ORDERING INFORMATION LPDCMR-AC-G-1-BA-BA-MB

1. SERIES	2. OPERATION	3. ILLUMINATION	4. FACE COUNT	5. FACE & FRAME COLOR
LPDCMR	-	-	-	-
	AC AC Only EM Ni-Cad Battery Backup	G Green R Red	1 Single 2 Double	BA-BA All Brushed Aluminum BA-BK Brushed Aluminum Face / Black Body BA-WH Brushed Aluminum Face / White Body BK-BK All Black WH-WH All White CC Custom Color
6. MOUNTING	7. OPTIONS			
MB Back Mount MRW Recessed Wall MRWLB Recessed Wall, Less Back box MPA 12" Pendant Mount MPB 24" Pendant Mount MPC 36" Pendant Mount MPD 48" Pendant Mount MTEB Top/End/Back Mount	BLANK = NO OPTION C1 Dual Circuit - 120 VAC (AC Only) C2 Dual Circuit - 277 VAC (AC Only) SD Self-Diagnostics (EM Only) SR Self-Diagnostics + IR Remote Testing Receiver (EM Only) FL Flasher	FLA Flasher/Audible Alarm FA Fire Alarm Interface FAA FA Option w/ Audible Alarm LD Damp Location TP Tamperproof Screws VR 1/8" Vandal Resistant Lens (Includes TP)		

ORDERING NOTES

1. For remote exit signs, see TLREM2 and LPDCREM.
2. This product is not compatible with remote lamp heads.

ACCESSORIES; ORDER SEPARATELY

- **WG-16.5LX14.0WX3.0D** = Wireguard, Length: 16.5", Width: 14", Depth: 3"
- **WG-16.5LX14.0WX6.0D** = Wireguard, Length: 16.5", Width: 14", Depth: 6"
- **WG-20.0LX19.0WX9.0D** = Wireguard, Length: 20", Width: 19", Depth: 9"
- **WG-26.0LX19.0WX9.0D** = Wireguard, Length: 26", Width: 19", Depth: 9"
- **LPDC-ACCY-RBB** = Recessed Backbox for LPDC
- **TLRT** = Infrared Remote Control

SPECIFICATIONS

CONSTRUCTION

- Injection molded internal cavity reflector provides ease of installation and maintenance together with perfectly even legend illumination.
- Two piece, heavy-duty walls constructed from die cast aluminum alloy.
- Removable front stencil face with overlapping light seal.
- Hidden knock out access points and universal pattern.
- Optional recess frame, polycarbonate face shield with tamper proof access screws, and pendant & specialty mounts.

LETTERS

- 6.0" high; 0.75" stroke

ARROWS

- NFPA type, universal field-selectable chevrons.

CANOPY SIZE

- 4.75" x 4.75" x 0.75"

INPUT POWER

- AC models: Red 1.5W; Green 2.3W
- EM models: Red 2.5W; Green 3.0W
- EM w/Remote Exit Sign: Red 3.0W; Green 4.0W

WEIGHT

- AC: 4.5 lbs
- EM: 5.25 lbs

TEMPERATURE RATING

- From 32°F to 102°F

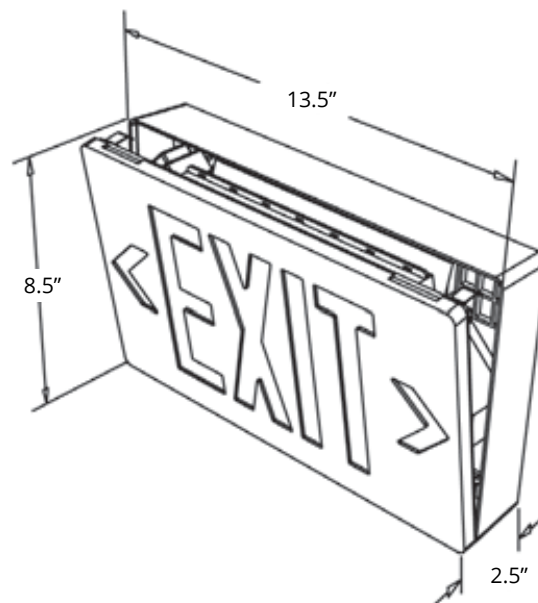
APPROVALS

- UL 924 Listed to 100ft Visibility Distance
- CEC Title 20 Compliant
- NFPA Life Safety Code 101
- NFPA 70-NEC
- OSHA

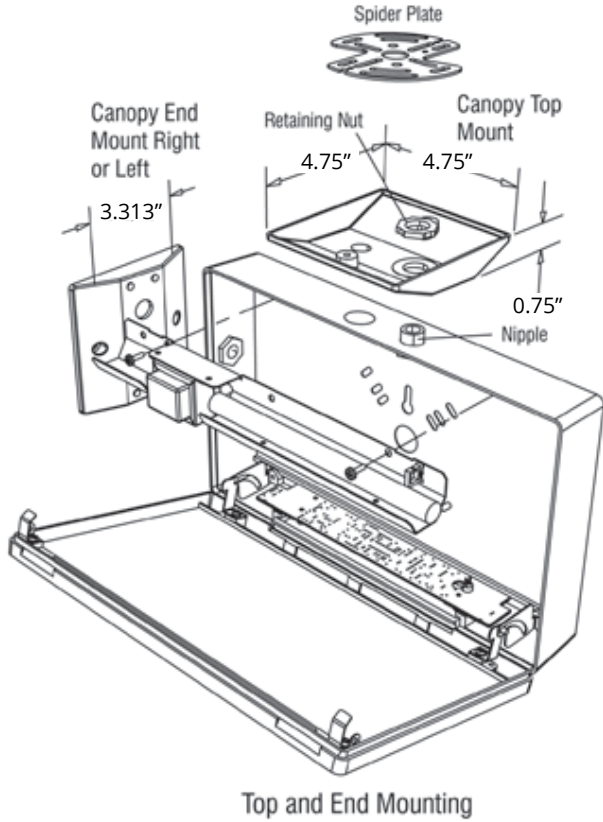
WARRANTY

- Isolite offers a 5-year limited warranty. For further details, refer to General Warranty and Obligations in the Isolite manual or on our website.

DIMENSIONS



MOUNTING



Octagon junction box
(recessed in the ceiling
supplied by others)

