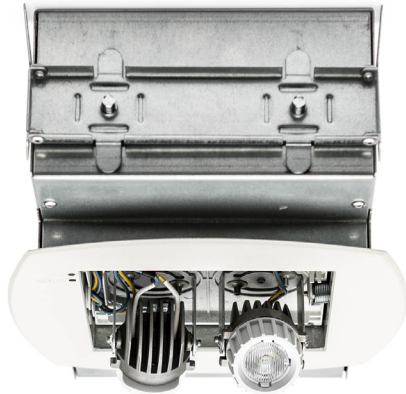


DATE:	COMMENTS:
PROJECT:	

FEATURES

- Self contained emergency light that can be recessed into walls or ceilings
- Compact, universal (wall or ceiling) back box is provided with fully adjustable Mounting hardware to suit virtually any application
- Universal back box can be pre-shipped for pre-installation at job-site
- Compact rotating 4.0" door
- Standard 2 Hour Run Time
- Can be painted or wallpapered to seamlessly blend with architecture
- Soft close doors
- Optional infrared hand-held remote control testing
- Modular assembly and quick connector wiring for easy installation
- Unidirectional deflecting drive band motor (patent pending)
- Solid-state microprocessor controlled circuitry
- Line latch prevents unnecessary discharge of battery during installation
- Brownout sensing ensures emergency operation during periods of low line voltage
- Battery LVCO
- Fully automatic operation
- Standard battery self-diagnostics on all units
- Soft start lamp circuit
- 120/277 VAC field selectable inputs
- Lumen output: 814
- Up to 100 ft Center-to-Center spacing
- Maintenance Free Nickel Metal Hydride Battery
- Damp Location Rating Standard
- Innovative Adjustable LED Optics allow for Precision Lighting of the Egress Path



ORDERING INFORMATION *EXAMPLE: MIGN2-CU-BK-MRLB-L*

1. SERIES	2. FRAME STYLE	3. FRAME COLOR	4. MOUNTING	5. LAMPS	6. OPTIONS
MIGN2	-	-	-	L	-
	CU Circular Trim SQ Square Trim	BK Black WH White CC Custom Color	MRLB Recessed Mount, Preship Back box MR Recessed Mount	L LED	BLANK = NO OPTION CP Chicago Plenum Listed TD Time Delay - 120/277 VAC (15 min)

ACCESSORIES; ORDER SEPARATELY

- MIGN2-ACCY-RBB = Recessed Back box for MIGN
- MIGN2-ACCY-RBB-CP = Recessed Back Box for MIGN (Chicago Listed)
- TLRT = Infrared Remote Control

CONSTRUCTION

- Textured, white powder coated, die-cast zinc frame and door
- Spring latch lamp holders
- No external Mounting hardware

ELECTRICAL

- Lamp wattage: 4.5W per lamp

OVERALL SIZE

- Front Panel: 7.0" x 7.0"
- Rotating Door: 4.0" x 4.0"

BACK BOX SIZE

- 10.875" x 5.375"

ROUGH-IN SIZE

- 5.375" x 5.375"

WEIGHT

- 12 lbs.

APPROVALS

- UL924
- New York City Approved Calendar #48850
- NFPA 101 Life Safety Code
- NFPA 70-NEC
- OSHA
- California Energy Commission (CEC) Title 20 Compliant

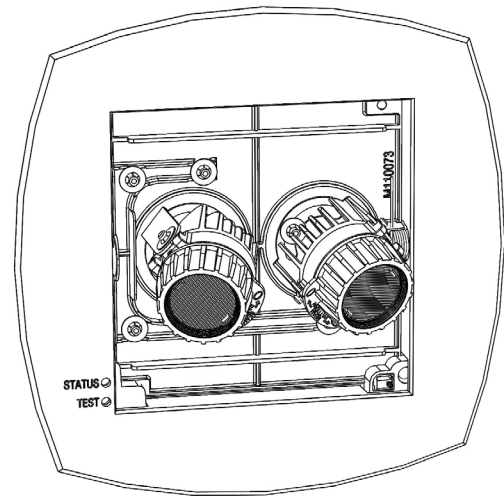
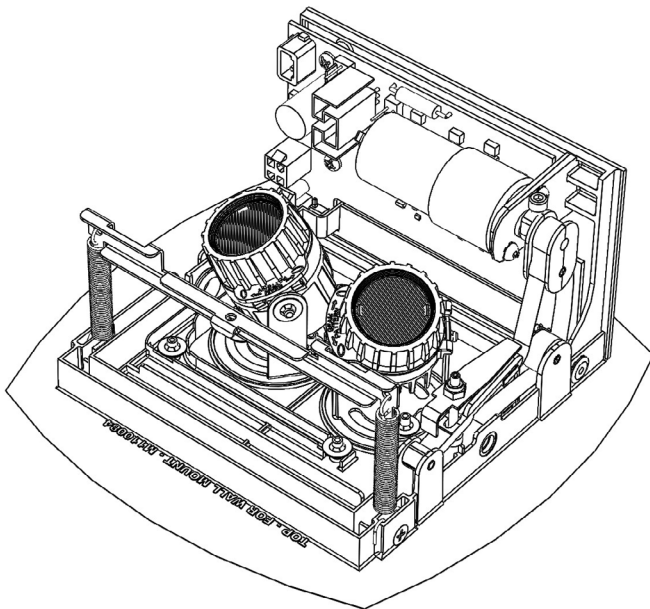
TEMPERATURE RATING

- From 10°C to 40°C

WARRANTY

Isolite offers a 5-year limited warranty. For further details, refer to General Warranty and Obligations in the Isolite manual or on our website. Lamps not warranted.

DIMENSIONS



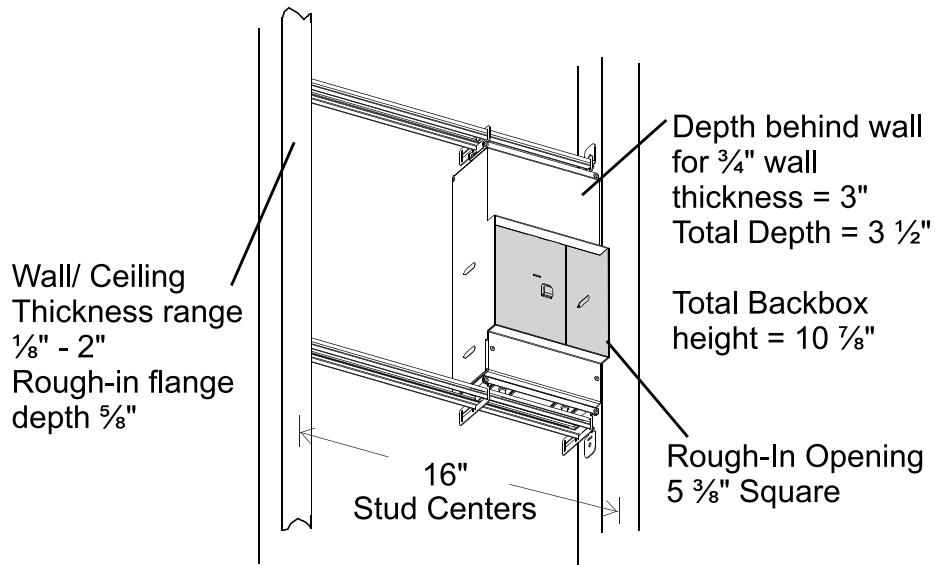
SPACING CHART

CEILING		
CEILING HEIGHT (FT)	VERTICAL AIMING ANGLE (DEGREES)	UNIT SPACING (MULTIPLE UNITS)
8	65	101
9	61	101
10	56	100
12	49	98
14	43	95

WALL MOUNT (ANGLE AWAY FROM WALL BY 2°)			
CEILING HEIGHT (FT)	UNIT/LAMP HEIGHT (FT)	VERTICAL AIMING ANGLE (DEGREES)	UNIT SPACING (MULTIPLE UNITS)
9	7	67	93
10	8	62	93
12	10	54	93
14	12	46	91
16	14	40	89

MOUNTING

WALL MOUNT



CEILING MOUNT

