



PG2

Chicago Approved Elite Edge-Lit Exit Sign

DATE:	COMMENTS:
PROJECT:	

FEATURES

- Approved in the City of Chicago.
- Exclusive Chicago Approved, field-installable universal arrows.
- Plenum rated recessed back box can be pre-installed at job site.
- Premium long-life, high-temperature fused nickel cadmium battery with standard
- UL listed 3-hour run time.
- Standard battery diagnostic system monitors battery status, detects cell failure, and issues an alert when there's reduced capacity, indicating the need to replace the battery.
- Line-latch prevents unnecessary discharge of battery during installation. Loads will not illuminate until after application of utility power.
- Specialty wording, finish, and custom graphics available with white LEDs upon request (See ELTCG2).
- Low profile recessed housing is suitable for old or new work installations and is IC rated.
- Brownout detection ensures emergency operation during periods of low line voltage.
- Sealed external momentary test switch and dual diagnostic LED indicator displays AC presence and Hi-Charge status.
- Self-Test / Self-Diagnostic monitoring available.
- Zero current low-voltage disconnect used to prevent battery from being overly discharged.
- Slimline, low profile surface mount housing eliminates need for recessed box in wall mount applications.
- Unique electronic driver circuit provides current control and protection, ensuring optimum LED efficiency and life.
- 120/277 VAC with field selectable inputs (with the exception of the dual-circuit option which requires voltage specification upon ordering).



CLICK THE IMAGE TO VIEW ALTERNATE PRODUCT PHOTOS
Only available with Adobe Acrobat and Acrobat Reader

ORDERING INFORMATION PG2-AC-G-1C-AG-BA-MB-AB

1. SERIES	2. OPERATION	3. LETTER COLOR	4. FACE COUNT																																				
PG2	-	R	-																																				
	AC AC Only EM Ni-Cad Battery Backup	R Red	<table border="1"> <tr> <td>CHI2</td> <td>Single Face Stairs No Arrow</td> <td>CHI17</td> <td>Double Face Stairs No Arrow</td> </tr> <tr> <td>CHI2UA</td> <td>Single Face Stairs Universal Arrow</td> <td>CHI17UA</td> <td>Double Face Stairs Universal Arrow</td> </tr> <tr> <td>CHI3</td> <td>Single Face Exit No Arrow</td> <td>CHI18</td> <td>Double Face Exit No Arrow</td> </tr> <tr> <td>CHI3UA</td> <td>Single Face Exit Universal Arrow</td> <td>CHI18UA</td> <td>Double Face Exit Universal Arrow</td> </tr> <tr> <td>CHI5</td> <td>Single Face Stairs Right Arrow</td> <td>CHI20</td> <td>Double Face Stairs Right or Left Arrow</td> </tr> <tr> <td>CHI6</td> <td>Single Face Exit Right Arrow</td> <td>CHI21</td> <td>Double Face Exit Right or Left Arrow</td> </tr> <tr> <td>CHI8</td> <td>Single Face Stairs Left Arrow</td> <td>CHI23</td> <td>Double Face Stairs Double Arrow</td> </tr> <tr> <td>CHI9</td> <td>Single Face Exit Left Arrow</td> <td>CHI24</td> <td>Double Face Exit Double Arrow</td> </tr> <tr> <td>CHI12</td> <td>Single Face Exit Double Arrow</td> <td></td> <td></td> </tr> </table>	CHI2	Single Face Stairs No Arrow	CHI17	Double Face Stairs No Arrow	CHI2UA	Single Face Stairs Universal Arrow	CHI17UA	Double Face Stairs Universal Arrow	CHI3	Single Face Exit No Arrow	CHI18	Double Face Exit No Arrow	CHI3UA	Single Face Exit Universal Arrow	CHI18UA	Double Face Exit Universal Arrow	CHI5	Single Face Stairs Right Arrow	CHI20	Double Face Stairs Right or Left Arrow	CHI6	Single Face Exit Right Arrow	CHI21	Double Face Exit Right or Left Arrow	CHI8	Single Face Stairs Left Arrow	CHI23	Double Face Stairs Double Arrow	CHI9	Single Face Exit Left Arrow	CHI24	Double Face Exit Double Arrow	CHI12	Single Face Exit Double Arrow		
CHI2	Single Face Stairs No Arrow	CHI17	Double Face Stairs No Arrow																																				
CHI2UA	Single Face Stairs Universal Arrow	CHI17UA	Double Face Stairs Universal Arrow																																				
CHI3	Single Face Exit No Arrow	CHI18	Double Face Exit No Arrow																																				
CHI3UA	Single Face Exit Universal Arrow	CHI18UA	Double Face Exit Universal Arrow																																				
CHI5	Single Face Stairs Right Arrow	CHI20	Double Face Stairs Right or Left Arrow																																				
CHI6	Single Face Exit Right Arrow	CHI21	Double Face Exit Right or Left Arrow																																				
CHI8	Single Face Stairs Left Arrow	CHI23	Double Face Stairs Double Arrow																																				
CHI9	Single Face Exit Left Arrow	CHI24	Double Face Exit Double Arrow																																				
CHI12	Single Face Exit Double Arrow																																						
5. FRAME STYLE	6. FRAME COLOR	7. MOUNTING																																					
AG Angular Trim FT Flat Trim ¹ <small>1. Only available with recessed mount.</small>	BA Brushed Aluminum BK Black BR Painted Brass WH White CC Custom Color	MRC Recessed Ceiling Mount MT Top Mount MB Back Mount ME End Mount / Side Mount MPA 12" Pendant Mount	<table border="1"> <tr> <td>MPB</td> <td>24" Pendant Mount</td> <td>MMT</td> <td>Mullion Mount Top</td> </tr> <tr> <td>MPC</td> <td>36" Pendant Mount</td> <td>MMB</td> <td>Mullion Mount Bottom</td> </tr> <tr> <td>MPD</td> <td>48" Pendant Mount</td> <td>MRCLB</td> <td>Recessed Ceiling Mount, Preship Backbox²</td> </tr> <tr> <td>MPE</td> <td>60" Pendant Mount</td> <td></td> <td></td> </tr> <tr> <td>MTEB</td> <td>Top / End / Back Mount</td> <td></td> <td></td> </tr> </table>	MPB	24" Pendant Mount	MMT	Mullion Mount Top	MPC	36" Pendant Mount	MMB	Mullion Mount Bottom	MPD	48" Pendant Mount	MRCLB	Recessed Ceiling Mount, Preship Backbox ²	MPE	60" Pendant Mount			MTEB	Top / End / Back Mount																		
MPB	24" Pendant Mount	MMT	Mullion Mount Top																																				
MPC	36" Pendant Mount	MMB	Mullion Mount Bottom																																				
MPD	48" Pendant Mount	MRCLB	Recessed Ceiling Mount, Preship Backbox ²																																				
MPE	60" Pendant Mount																																						
MTEB	Top / End / Back Mount																																						

9. OPTIONS

- BLANK = NO OPTION
- CX Dual Circuit - Universal Voltage
- SD Self-Diagnostics (EM Only)
- SR Self-Diagnostics + IR Remote Testing Receiver (EM Only)
- VF Other Input Voltage (Indicate Volt & Frequency)
- FL Flasher

- FA Fire Alarm Interface
- FLA Flasher / Audible Alarm
- FAA FA Option w/Audible Alarm
- DL Damp Location Listed
- OW Old Work Clips¹
- CU Curved Panel

ORDERING NOTES

- Only available with recessed mount
- Must Order PG2-ACCY-RBB with MRCLB option

ACCESSORIES ON BACK


ACCESSORIES; ORDER SEPARATELY

- **PG2-ACCY-RBB** = Recessed Backbox for PG2
- **TLRT** = Handheld Remote Control Test Unit, used with SR option
- **WG-20.0LX19.0WX9.0D** = Wireguard, Length: 20", Width: 19", Depth: 9"
- **WG-26.0LX19.0WX9.0D** = Wireguard, Length: 26", Width: 19", Depth: 9"

SPECIFICATIONS
CONSTRUCTION

- "Snap-in Lens" for easy installation.
- Recessed back box can be pre-installed at job site.
- Precision die-cast aluminum housing with a flawless, laser-formed acrylic legend.
- Hinged springs allow for concealed mounting hardware on recessed models.
- Recessed back box meets Chicago specifications.

INPUT POWER

- **AC models:** Red 1.5W; Green 2.3W
- **EM models:** Red 2.5W; Green 3.0

LETTERS

- 6.0" high; 0.75" stroke

ARROWS

- Full Size Chevrons: Either factory installed, or self-adhesive chevron kit and template for on-site installation.

WEIGHT

- Back Wall/Ceiling/End/Mullion Mount: 9 lbs
- Recessed Ceiling: 8 lbs
- Back Box: 4 lbs

TEMPERATURE RATING

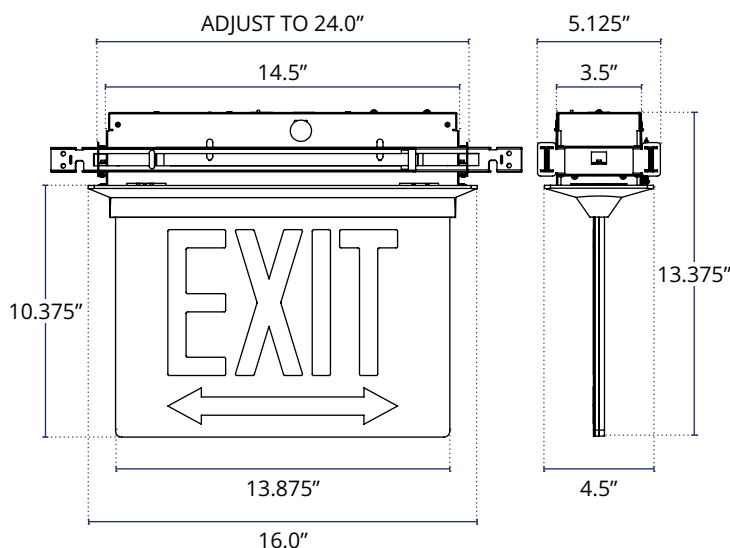
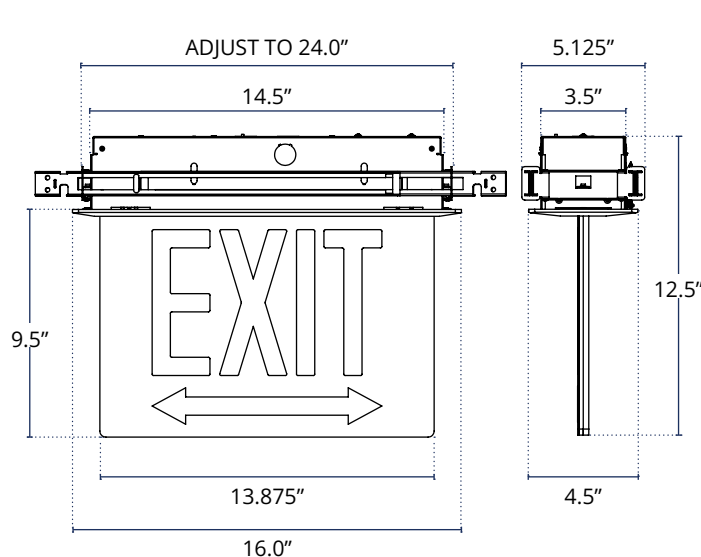
- From 32°F to 102°F

APPROVALS

- City of Chicago Approved
- City of Chicago Specifications
- UL 924
- CEC Title 20
- NFPA 101 Life Safety Code
- NFPA 70
- OSHA
- FCC Title 47 Part 15, Subpart B
- BAA Compliant

WARRANTY

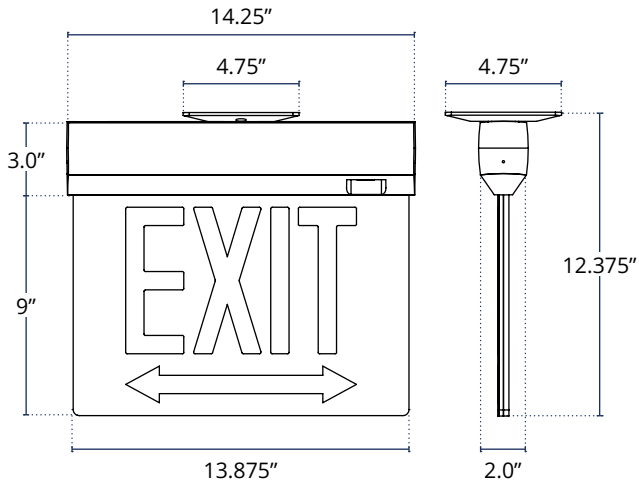
- Isolite offers a 5-year limited warranty. For further details, refer to General Warranty and Obligations in the Isolite manual or on our website.

DIMENSIONS
ANGLED TRIM RECESSED MOUNT

FLAT TRIM RECESSED MOUNT


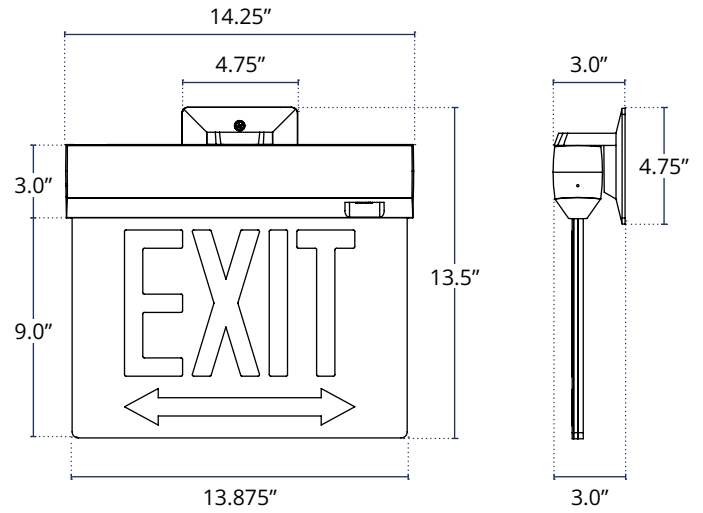


DIMENSIONS (CONTINUED)

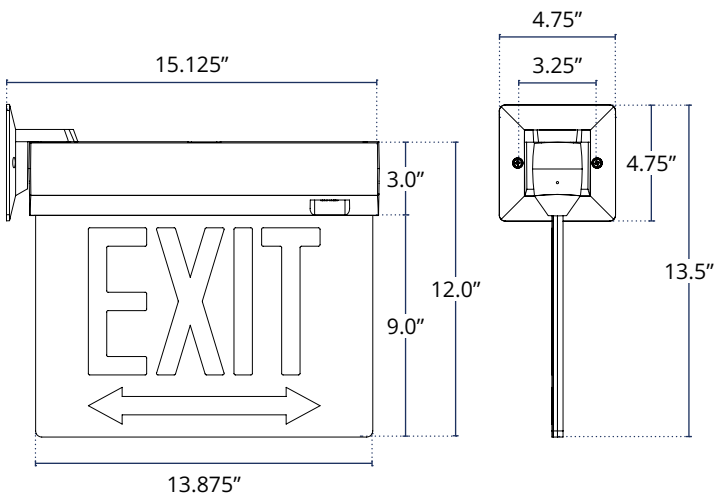
TOP MOUNT



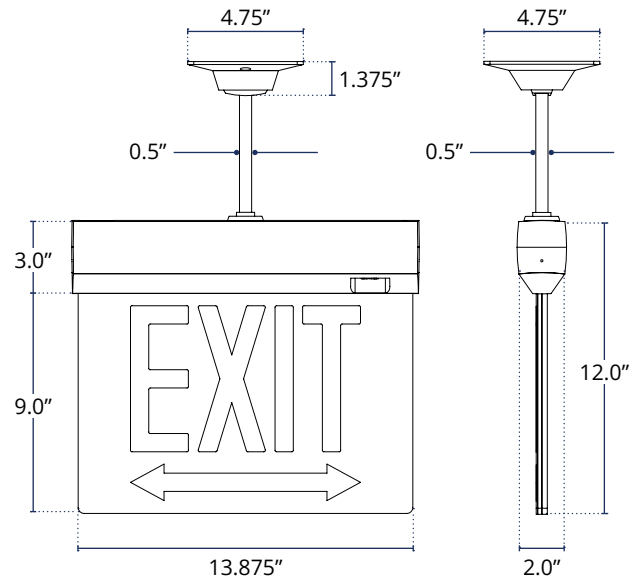
BACK MOUNT



END / SIDE MOUNT

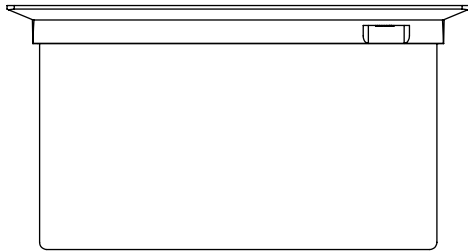


PENDANT MOUNT

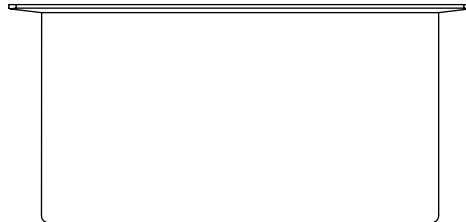




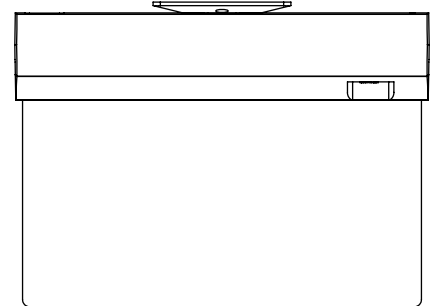
MOUNTING CONFIGURATION



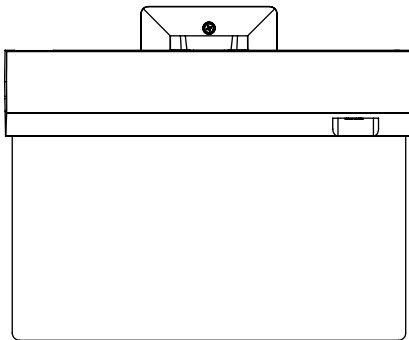
Angled Trim Mount
(Recessed Only)



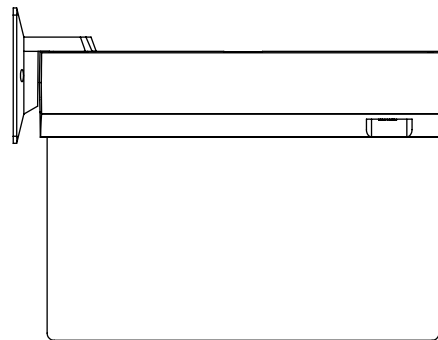
Flat Trim Mount
(Recessed Only)



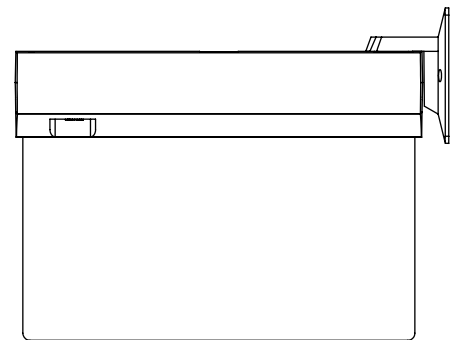
Top Mount
(Surface Only)



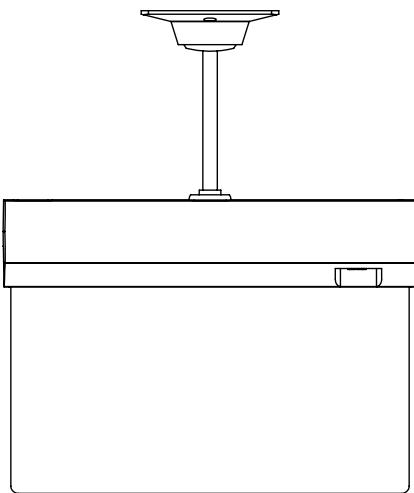
Back Mount
(Surface Only)



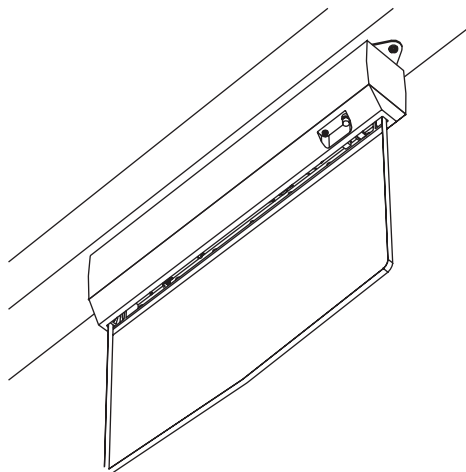
End/Side Mount - Left
(Surface Only)



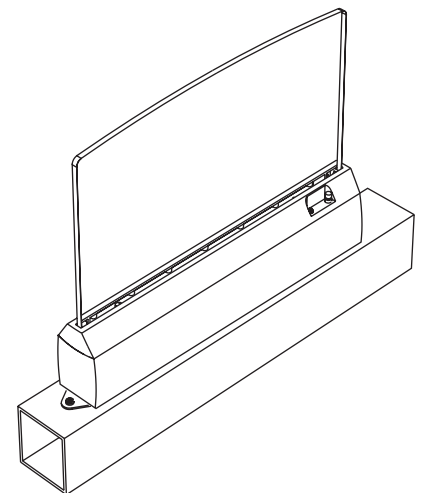
End/Side Mount - Right
(Surface Only)



Pendant Mount



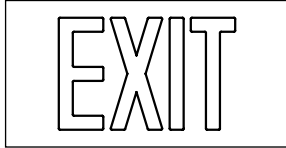
Mullion Mount Top
(MMT)



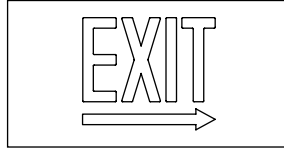
Mullion Mount Bottom
(MMB)



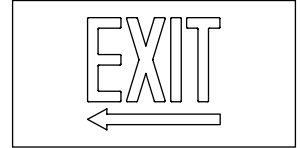
CHEVRON DECODER



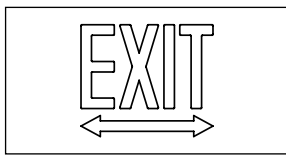
No Arrows (AN)



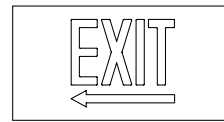
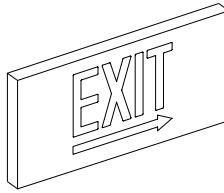
Arrow Right (AR)



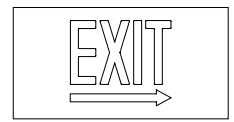
Arrow Left (AL)



Double Arrow (AB)



SIDE A



SIDE B

Left & Right Arrow (AS)

Double Face Only