



Catalog Number
Notes
Type

FEATURES & SPECIFICATIONS

INTENDED USE — For field or factory installation in T5, T5HO, T8, T8HO and long-compact fixtures utilizing low-profile ballast and wireways. Suitable for indoor and damp locations and for sealed and gasketed fixtures, including fixtures rated for wet locations. Provides 90 minutes of emergency operation at a reduced light level.

CONSTRUCTION — Galvanized steel, low-profile housing works in conjunction with low-profile or standard size electronic ballasts to convert new or existing standard or high output T5 and T8 fluorescent fixtures into emergency lighting. Dual-voltage input capability (120V or 277V).

PERFORMANCE — Operates one 14-28W standard or 24-54W high output T5; one 17-40W standard or 44-55W high output T8; or one 36-55W (4-pin) long compact fluorescent lamp. Compatible with most one, two, three, or four-lamp electronic, standard, energy-saving and dimming AC ballasts.

Emergency ballast wires two ways: on night light circuit (permanently energized) or on switchable circuit (unswitched circuit to battery charger and switched circuit to the fixture ballast). Emergency ballast will strike "normally off" lamp. Produces 600-1325 lumens initial emergency light output.

BATTERY — Sealed, maintenance-free, high-temperature, nickel-cadmium battery. Ensures long life over wide temperature ranges. Automatic battery recharge after 90-minute discharge. 24-hour recharge time.

Pilot light and single-pole test switch provide visual and manual means of monitoring system operation.

ELECTRICAL — Constant current-type charger.

High-efficiency, push-pull inverter is the most effective method of converting DC power to AC power. It provides maximum light output, battery life and reliability.

INSTALLATION — Low-profile size (21.5"L x 1.18"W x 1.18"H) allows mounting in lighting fixtures with limited space inside fixture wireway for clear appearance and protection against vandalism. Mounting centers 21" for standard model.

Test switch and pilot light included.

LISTINGS — UL Listed. Meets UL 924, NFPA 101 (Current Life Safety Code), NEC and OSHA illumination standards. Suitable for factory or field installation in indoor and dry locations and for sealed and gasketed fixtures including fixtures rated for wet locations. Temperature rating 32 °F (0°C) to 122°F (50°C).

WARRANTY — 5-year limited warranty. Complete warranty terms located at:

www.acuitybrands.com/CustomerResources/Terms_and_conditions.aspx

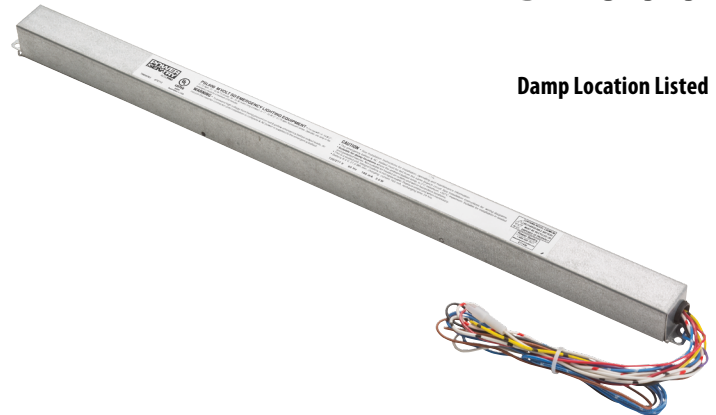
Note: Actual performance may differ as a result of end-user environment and application.

Specifications subject to change without notice.

Low-Profile Emergency Ballast

PSL600

Damp Location Listed



ORDERING INFORMATION

Lead times will vary depending on options selected. Consult with your sales representative.

Example: PSL600

PSL600	
Series	
PSL600	Emergency fluorescent battery pack

Accessories: Order as separate catalog number.	
ELA RTS3	Remote test switch pilot light

PSL600 Low-Profile Emergency Ballast

SPECIFICATIONS

BATTERY			
Sealed lead calcium			
Typical Shelf life ¹	Typical life ²	Maintenance ²	Temperature range ³
3 years	7-10 years	none	32-100°F

Notes

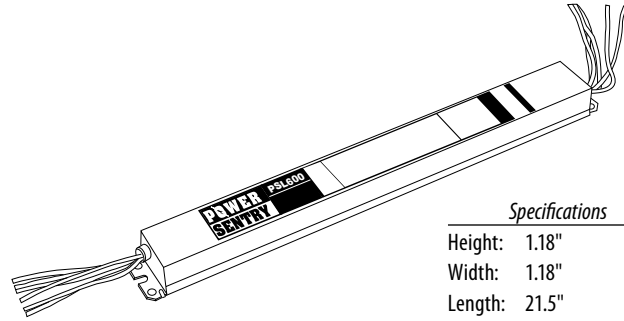
- At 77°F.
- All life safety equipment, including emergency lighting for path of egress must be tested in accordance with all National Fire Protection Association (NFPA) and local codes. Failure to perform the required testing could jeopardize the safety of occupants and will void all warranties.
- Ambient temperature range where unit will provide capacity for 90 minutes. Higher and lower temperatures affect life and capacity. Consult factory for detailed information.

ELECTRICAL (Standard)		
Maximum AC Input		
Volts	Amps	Watts
120	.18	3.5
277	.18	3.5

LAMP COMPATIBILITY			
Type	Description	Length	Wattage
Linear	T5/T5HO	24" - 48"	14-54
	T8/T8HO	24" - 48"	17-55
Long Compact (4-pin)	N/A	N/A	36-55

INITIAL LUMEN OUTPUT TABLE*		
Sealed lead calcium		
Type	Description	1 Lamp (lm)
T5/T5HO	FP54, F54T5/HO	1250
	FP39, F39T5/HO	1125
	FP24, F24T5/HO	725
	FP28, F28T5	1250
	FP21, F21T5	1025
	FP14, F14T5	750
T8	F32T8 (4')	1100
	F40T8 (5')	1325
	F48 T8/ HO (4') (44W)	1100
	F17 T8	650
	F25 T8	750
CFL	PL-L 50W, F50BX/RS, Dulux L 55W	1050*
	PL-L 40W, F40/30BX/RS, Dulux L 40W	925*
	PL-L 36W, F39/36BX/RS, Dulux L 36W	900*

* Initial lumen output measured at 25°C ambient temperature

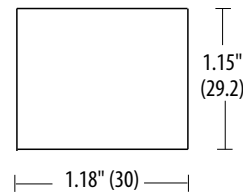


Specifications

Height: 1.18"
Width: 1.18"
Length: 21.5"

MOUNTING

All dimensions are inches (centimeters) unless otherwise indicated.



Cross section end view
Length: 21.5" (546.1) (Standard) 22.5"
Shipping weight: 3.1 lbs.

