

The Exitronix QXEDGP edge-lit exit sign features elegant styling in an economical LED thermoplastic design. It features simple installation with field-selectable chevrons that have a factory-installed guide template for multiple directional configurations. A snap-in canopy is included for simple top, end or surface mount installations. Single-face signs include an ultra-clear acrylic panel while double-face signs utilize a factory-installed mirror-finish mylar insert between two clear acrylic panels.

FEATURES & BENEFITS

- UV-stabilized, ultra-clear, acrylic edge-lit panel provides consistent, uniform illumination
- Field-selectable chevrons with self-adhesive appliques and guide template provided
- Suitable for Damp Locations
- Suitable for ceiling, end or wall mount
- California Energy Commission (CEC) Title 20 Compliant

SPECIFICATIONS

Illumination: Long-life, high-intensity red or green LEDs

Construction: Injection-molded UL 94 5VA flame-retardant high-impact resistant thermoplastic enclosure with UV-stabilized, ultra-clear acrylic panels

Electrical Input: 120/277VAC Dual primary, 60Hz

Battery: Maintenance-free 4.8V NiCad battery

Operating Temp: 0°C to 50°C (32°F to 122°F)

Run Time: 90 Minute emergency run time, 24 hour recharge time

Legend: Fully illuminated 6" characters with 3/4" stroke

Mounting: Ceiling, end or wall mount, canopy included

Finish: White

Certifications: UL 924 Listed for Damp Locations
Meets NFPA 101 Life Safety Code, NEC, OSHA
California Energy Commission (CEC) Title 20 Compliant

Warranty: Any component that fails due to a manufacturing defect is guaranteed for five years with a separate five year prorated warranty for NiCad batteries. The warranty does not cover physical damage, abuse or instances of uncontrollable natural forces. See the full Exitronix warranty document for detailed information. (Terms and conditions apply)

Model: _____ Date: _____
 Accessories: _____
 Job Name: _____ Type: _____



ORDERING INFORMATION Example: QXEDGP-D-RM-WB-WH

Series	Number of Faces	Legend Color	Power Source	Finish	Options
QXEDGP	S = Single-face	RC ¹ = Red Letters/Clear Panel	WB = Battery Backup	WH = White	G ² = Self-test/Self-diagnostics
	D = Double-face	RM = Red Letters/Mirror Panel			
		GC ¹ = Green Letters/Clear Panel			
Notes		GM = Green Letters/Mirror Panel			

¹ Single-face only

² Lead times apply, consult factory

ULTIMATE PERFORMANCE. UNPARALLELED VALUE.

CONSTRUCTION

The QXEDGP has an injection-molded enclosure constructed of UV-stabilized, UL 94 5VA flame-retardant, high-temperature, high-impact thermoplastic. UV-stabilized ultra-clear acrylic edge-lit panel provides consistent, uniform illumination. Fixtures resist denting, peeling, scratching and corrosion. NFPA approved field-selectable chevrons.

ILLUMINATION

Fully illuminated 6" letters with 3/4" stroke is achieved with high-output, long-lasting LEDs. Single-face signs include an ultra-clear acrylic panel. Double-face signs utilize a factory-installed mirror-finish mylar insert between two clear acrylic panels.

ELECTRICAL

Input

Dual-voltage input 120 or 277VAC @ 60Hz.

Nickel Cadmium Battery – NiCad

Extronix nickel cadmium batteries are maintenance free.

Emergency

The QXEDGP Series exit will operate for a minimum of 90 minutes during a loss of power with a 24 hour maximum recharge time for the battery.

Solid-State Transfer

The circuit features solid-state switching for emergency lighting, eliminating concerns of damaged contact or mechanical failures associated with relays. The switching circuit detects a loss of line voltage and automatically switches to emergency mode. Unique bi-color LED indicator light alerts occupant on battery condition (Green-normal, Red-check battery).

Test Button

The test button is easy to locate and provides manual verification of the transfer circuit.

Damp Location Rated

Damp Location Rated fixture that is normally or periodically subject to condensation of moisture in, on or adjacent to, and includes partially protected locations.

INSTALLATION

Completely universal mounting canopy provides for ceiling, end or top mount and snaps into enclosure with two (2) positive locking tabs. Electronics and battery contained in housing. Plug-in battery connector supplied for easy installation. All hardware is included.

OPTIONS

Guardian Self-Test/Self-Diagnostics (Option: G2)

The Guardian circuit continuously monitors the operating condition of the AC power, battery supply voltage, emergency lamp continuity and charging circuit.

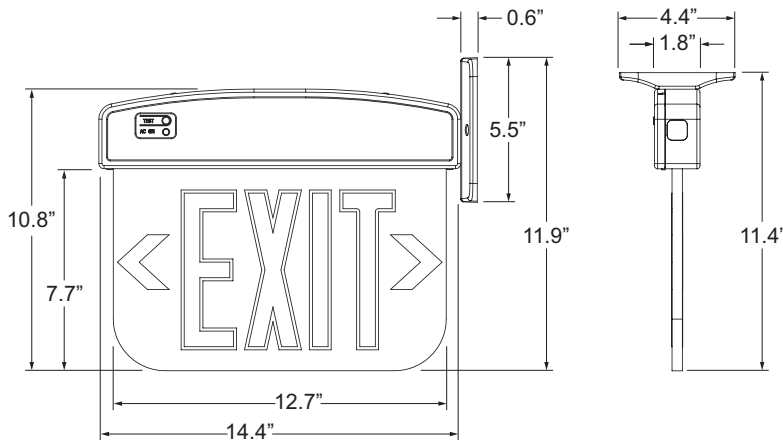
The purpose of this option is to provide visual signaling in response to a fault at the EXIT sign battery and/or battery charger. If a failure is detected, visual status will occur immediately via the CHARGER LED and/or the BATTERY FAULT LED. The LED will stay illuminated until the fault is corrected.

The Guardian circuit also monitors the transfer circuit as well as performs automatic code-compliant testing. The Guardian circuit will perform a 30 second discharge and self-test every 30 days. A 60 minute discharge and self-test is performed every 6 months, and a 90 minute discharge and self-test is performed every 12 months.

Red LED	Unit Fault	Corrective Action
Steady	Battery Disconnected	Check Battery Connection
1 Blink	Electronics Failure	Check Battery Then Consult Factory
2 Blinks	Battery Failure	Check Battery Then Consult Factory
3 Blinks	N/A	N/A
4 Blinks	Emergency Lamp	Check Lamp Connections Then Consult Factory
5 Blinks	Remote Lamp	Check Remote Lamp Connections Then Consult Factory

CONFORMANCE TO CODES & STANDARDS

The QXEDGP Series is UL 924 Listed for Damp Locations and meets or exceeds the following: CEC, NEC requirements and NFPA 101.



ULTIMATE PERFORMANCE. UNPARALLELED VALUE.