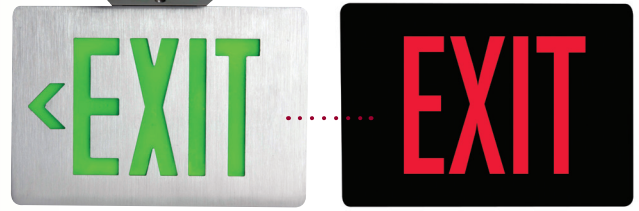


# RAZOR MK<sup>3</sup> - Master-Remote LED Exit Signs

The Razor MK<sup>3</sup> Master-Remote is designed expressly for applications requiring high, low and/or Master-Remote exit sign installations. The Razor Master powers and monitors the remote single or double face sign via low voltage 5V connection simply requiring min 20 awg conductors. Beyond the Master functionality, the Razor MK<sup>3</sup> Master-Remote replicates the Razor MK<sup>3</sup> Classic. Field-selectable top or end canopy mounting, snap-lock assembly and optional square pendant rod with matching slim profile adaptors and canopy, simplifies install and improves versatility.



Master unit powers remote via 5V low voltage 2 wire connection.

## Construction

- Razor thin 5/8" Pressure Die Cast Aluminum. Available in Fine Grain Brushed Aluminum or powder coated pure White or Black finishes. Other finishes available to order
- Light Guide, light engine, batteries and electrical connectors are neatly housed in a single injection-molded frame assembly with flexible circuit board and simple mating connector
- Mounts to standard 4S Junction box in Wall, Canopy or Pendant mount configurations
- Unique snap fit housing design eliminates unsightly hardware
- Removable face with field selectable Chevron directional indicators
- Low profile canopy for universal end or top mount applications
- Hang Straight 1/2" Extruded Aluminum matching Tube Pendant and adaptors
- Optional polycarbonate face shield with snap-fit installation ideal for vandal resistant and low level applications (U.L. listed for floor proximity installation)
- Also available as a standard single sign (see data sheet RZR3) or open face custom graphic (see data sheet RCG3)

## Electrical

- High intensity LED array provides exceptional energy efficiency with just 2.0 watts power consumption for both the Master and Remote in single and double face AC models. Battery backup models consume just 2.6 watts and remote lamp head capacity units just 2.9 watts
- Solid State circuitry provides optimum condition power supply for the LEDs which are powered at less than 50% of their rated operating current ensuring minimal heat dissipation and subsequent exceptional LED life predicated to maintain 80% luminosity after 20 years continuous operation
- Razor Master will power and monitor a Razor remote Single or Double Face Razor remote via a two wire 5 Volt AC/DC min. 20 awg conductor
- 120 or 277 VAC field selectable input
- Self-compensating constant current charger circuit monitors the condition of the battery pack and indicates via a flashing LED when battery needs replacing
- Circuitry includes - Zero current LVCO, Brownout Sensing & Line-Latch

- Optional functions available: Self-Test, Self-Diagnostics (including remote), Fire Alarm Interface, Flash in Emergency Mode or Continuous Flash in AC mode, Infra-Red Remote testing (up to 40 feet away), Dual AC input and 2 Watt Remote Lamp Head Capacity
- Premium High Temperature Maintenance free, eco-friendly Nickel Metal Hydride battery with fuse protection
- Standard Battery Backup models are U.L. listed with 120 minutes emergency run time for both the master and remote. The additional 30 minute run time over the 90 minute code requirement assures optimum battery capacity over many years of natural depreciation
- Remote lamp head rated models are U.L. listed for 90 minutes emergency run time
- UL and CSA listed as standard "Suitable for use in damp locations 10° - 40° C"

## Illumination

- Unique injection molded 3mm refractive light guide produces flawless uniformity and vibrantly illuminated 18fL legend - 7 times the minimum UL 924 requirement at a 100' viewing distance
- Red or Green LED with 6" letters and 3/4" stroke
- Maintenance free LED light source with 25+ year's life expectancy

## Certification

- Tested and Listed by Underwriters Laboratories in compliance with UL924 and CSA-C22.2 No. 141-15. Razor also meets or exceeds all performance standards as required by NFPA 101 Life Safety Code, NFPA 70-NEC and OSHA
- California Energy Commission (CEC) Title 20 Compliant



## Warranty

- 5 Year Limited Warranty – view complete warranty terms online at [www.evenlite.com/warranty/Terms.pdf](http://www.evenlite.com/warranty/Terms.pdf)

## ORDERING GUIDE – RZRMK3

Example: RZMR3-EM-R-M1-R1-WH-CN-LL-SD

Model	Operation	Letter Color	No. of Faces Master Only	No. of Faces Remote Sign	Face & Body Color	Mounting Master	Mounting Remote	Options
RZMR3	AC AC Only 120/277 VAC EM Battery Backup	R Red G Green	M1 Single M2 Double MU* Universal <i>*Includes two faces, backplate and canopy</i>	R1 Single R2 Double RU Universal	BA All Brushed Aluminum BK All Black WH All White CC Custom Color (specify)	1B Wall Mount, No Canopy CN Canopy Universal Top, Left, Right End mount PA 12" Hang Straight Pendant Mount PB 24" Hang Straight Pendant Mount PC 36" Hand Straight Pendant Mount PD 48" Hang Straight Pendant Mount PE 60" Hand Straight Pendant Mount PF 72" Hang Straight Pendant Mount	LL Low Level Wall Mount (includes Security Cover) 1B Wall Mount (without Security Cover) CN Canopy Top, Left End, Right End Mounted	SD Self-Test, Self-Diagnostics(EM Models) F Flash in Emergency mode (EM models) or continuous Flash in (AC models) FA Flash in AC and Emergency mode on 12-24V (AC or DC) normally off Fire Alarm signal (available for AC and EM models) DK Two Circuit Input - Field Selectable 120 or 277 VA (AC ONLY) MS Razor Security Cover for Razor Master Unit IR Self-Diagnostics with Infrared Remote Testing TLRT Infrared Transmitter (Order separately) M990010 Wire Guard Wall Mount Only RZRR3 Single Face Extra Razor Remote (Includes RS) (Order separately) RC Remote Lamp Head Capacity, 2 Watt, 3.6 Volts <b>Remote Lamp Head Options</b> Order Separately (not to exceed 2 watts per master sign) TCRH1 One watt single indoor LED head TCRH2 One watt each double indoor LED head PRWLED1MV One watt single outdoor LED head PRWLED2MV One watt each double outdoor LED head
RZRMK3								

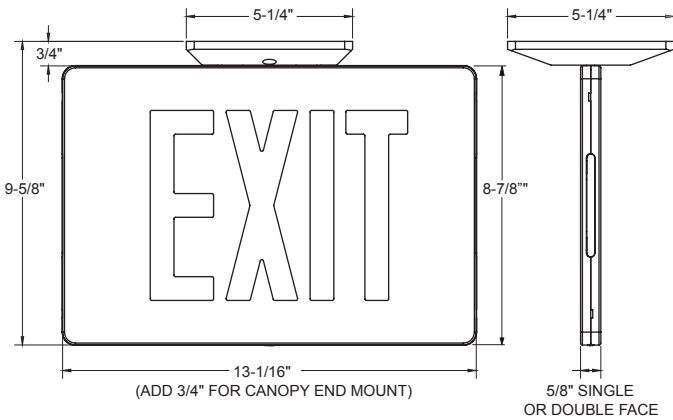
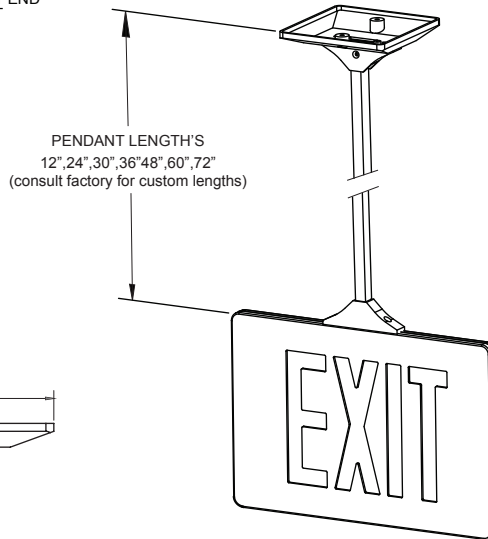
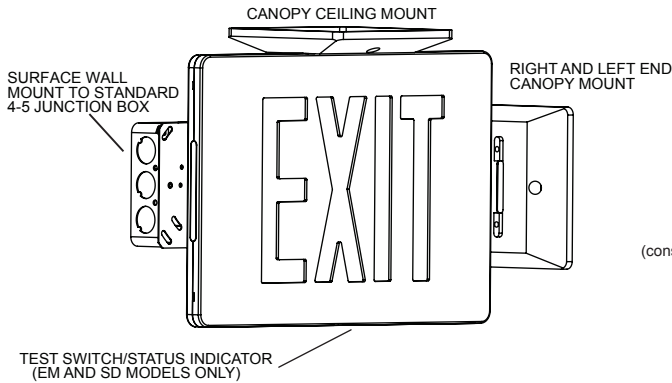
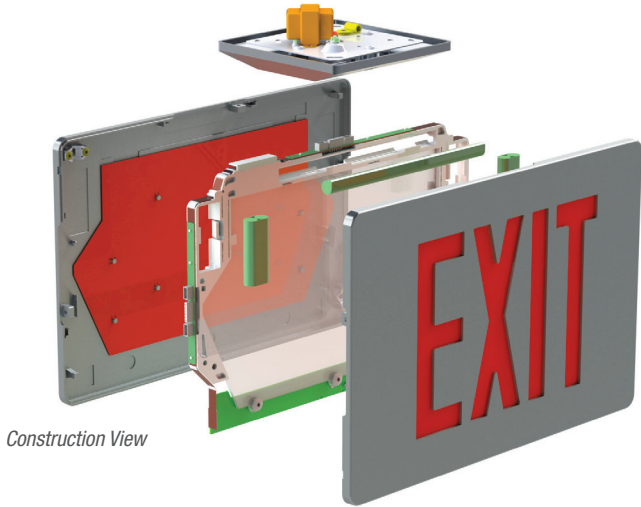
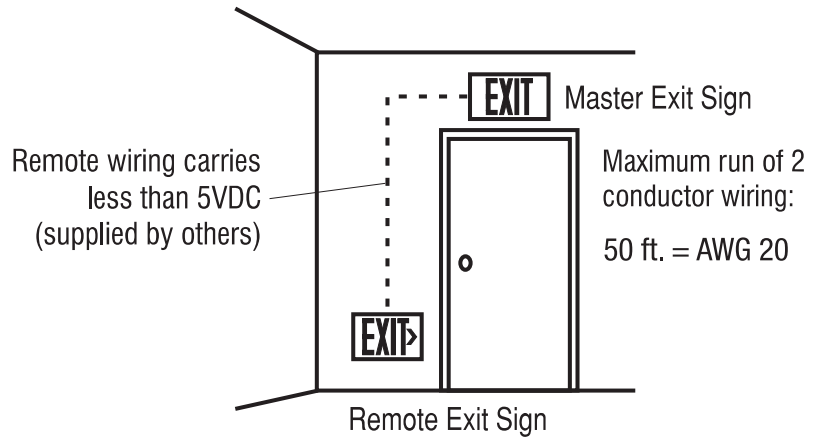
Fill in fields from categories above and complete type and part number.

Type Number:

Full Part Number:

# Razor RZMR Series Master-Remote LED Exit Signs

- Master is available in single or double face in all mounting styles.
- Chevrons indicators are field selectable in both Master & Remote
- Remote Mounting configuration to order



Optional Vandal-resistant snap lock clear polycarbonate cover. Available for Single or Double face signs in all mounting configurations – see ordering guide. LL models are Listed for floor proximity installation and include the Polycarbonate Security Cover as standard.