

INSTALLATION SHEET : RHA-UNV-226-K

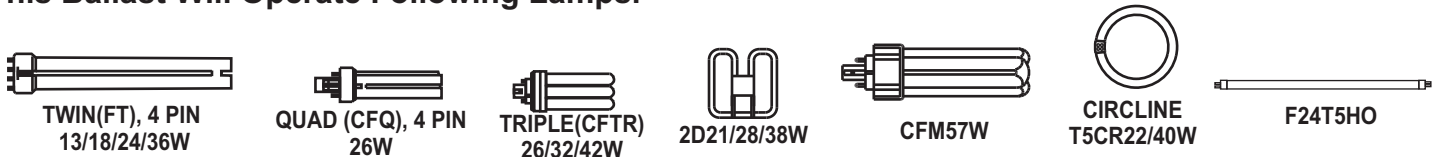
This Is An Original Product From Fulham Co., Inc

Description: This Kit contains a Universal Voltage CFL Electronic Ballast, which features Program Start, End-Of-Life Protection (EOL), Flicker-Free Operation, and Auto-Restart. Includes Ballast, Snap-on-plate, Required Wires, Wire Removing Tool, Nuts and Screws. Numerous Applications, such as retrofit down light.

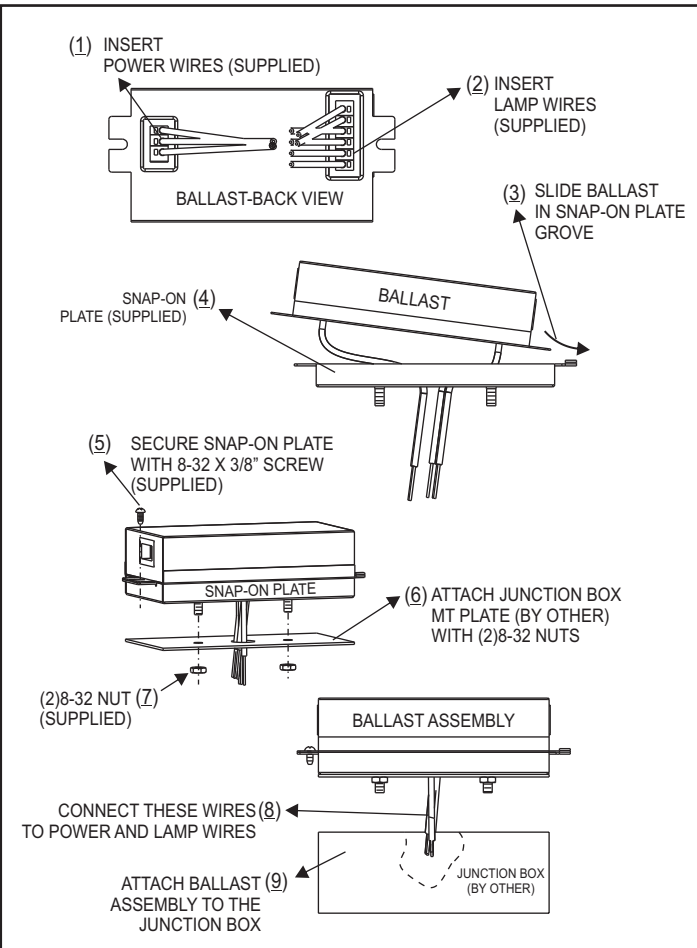
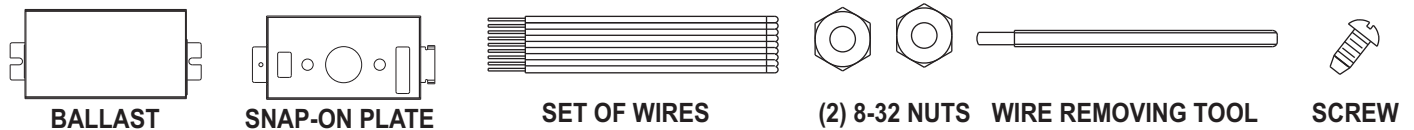
Safety, Warning and Suggestions

(1) Qualified electrician is required to install this product/s. (2) To prevent electrical shock and injury, be sure to disconnect power prior to mounting of this fixture/s. (3) All wiring and installations should meet local, state and national electrical codes. (4) Install correct lamp type and wattage.

This Ballast Will Operate Following Lamps.



List Of Item Enclosed



Las Instrucciones En Español.

- 1) insertar los alambres de la energía (proveída).
- 2) insertar los alambres de la lámpara (proveída).
- 3) resbalar el lastre en arboleda.
- 4) placa snap-on (proveída)
- 5) asegurar la placa snap-on con 8-32 x 3/8 " tornillo (proveída).
- 6) unir la placa MT con la caja de ensambladura con (2) 8-32 tuercas
- 7) (2) tuerca 8-32 (proveída).
- 8) Conecte Estos Alambres Con La Energía y Los Alambres De La Lámpara.
- 9) unir el montaje del lastre a la caja de ensambladura.

L'instruction d'installation en français

- 1) INSÉREZ LES FILS CONDUCTEUR (FOURNIS)
- 2) INSÉREZ LES FILS DE LAMPES (FOURNIS)
- 3) GLISSEZ LE BALLAST DANS LA FENTE DE LA PLQUE "SNAP-ON"
- 4) PLAQUE "SNAP-ON" (FOURNIS)
- 5) VISSEZ LA PLAQUE "SNAP-ON" AVEC DES VIS 8.32X3/8" (FOURNIS)
- 6) INSTALLEZ LA BOITE DE JONCTION A LA PLAQUE DE MONAGE AVEC DES ÉCROUS (2)8-32
- 7) (2) ÉCROUS 8-32 (FOURNIS)
- 8) RACCORDEZ CES FILS AUX FILS CONDUCTEUR ET AUX FILS DE LAMPES
- 9) UNISSEZ LE BALLAST À LA BOITE DE JONCTION

Fulham Co., Inc extends limited warranty only to the original purchaser or to the first user for the period of 3 years @ 90° C & 5 years @ 70° C from the date of manufacture as indicated by the date code stamped on each product and when properly installed and under normal conditions of use. For additional warranty guide line, please refer to our Complete Product Catalog OR call Customer Service at 1-323-599-5001.

DUE TO A PROGRAM OF CONTINUOUS IMPROVEMENT, FULHAM Co., INC RESERVES THE RIGHT TO MAKE ANY VARIATION IN DESIGN OR CONSTRUCTION TO THE EQUIPMENT DESCRIBED.

Address : 12705 South Van Ness Ave., Hawthorne, CA 90250 Tel.: 1-323-599-5001, Fax.: 1-323-754-9060. Website: www.fulham.com

2013-392-1 rev A

SPECIFICATION SHEET : RHA-UNV-226-C

This Is An Original Product From Fulham Co., Inc

Description : RACEHORSE Series, Universal Operating Voltage, Programmed Start Ballast, End Of Life Protection, Auto Restart, Cold Starting Feature.

This Ballast Will Operate Following Lamps.



TWIN(FT), 4 PIN
13/18/24/36W



QUAD (CFQ), 4 PIN
26W



TRIPLE(CFTR)
26/32/42W



2D21/28/38W



CFM57W



CIRCLINE
T5CR22/40W

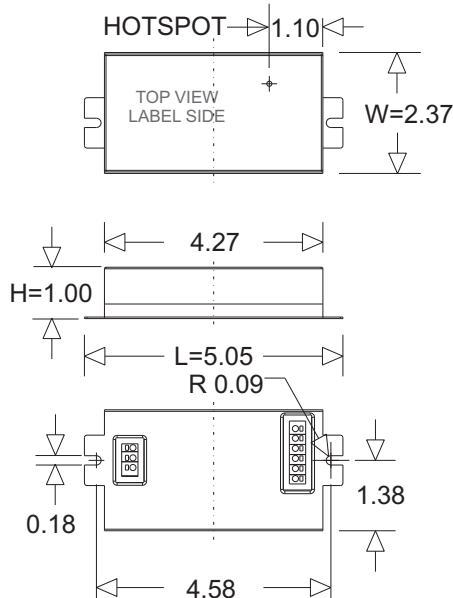


F24T5HO

ELECTRICAL DATA (With 120 Volt Application)

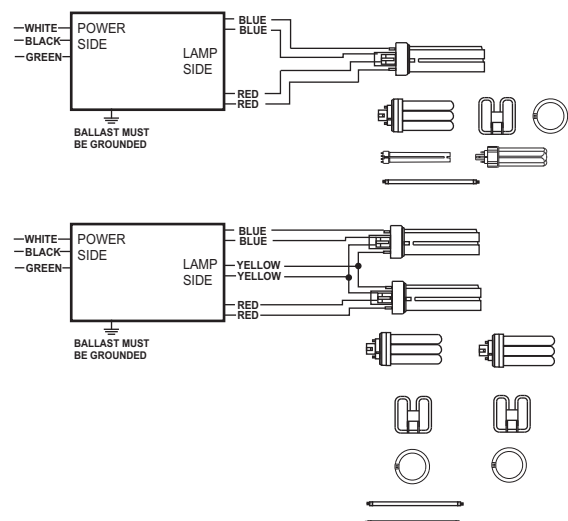
INPUT VOLT: 120V ± 10%, 50/60Hz									
LAMP WATTS/TYPE	26CFQ	26CFTR	32CFTR	42CFTR	CFT13	CFT18	CFT24	CFT36	2D21
LAMPS OPERATED	1								
INPUT WATTS	29	28	32	48	18	18	27	34	25
LINE CURRENT:	0.25	0.23	0.27	0.40	0.15	0.15	0.22	0.29	0.21
POWER FACTOR	0.99	0.99	0.99	0.99	0.99	0.99	0.99	0.99	0.99
BALLAST FACTOR	1.06	1.06	0.99	0.98	1.26	1.00	1.06	0.88	1.44
EFFICACY FACTOR	3.66	3.80	3.10	2.05	7.17	5.50	3.95	2.58	5.77
THD	< 10%								
CURRENT CREST FACTOR	< 1.7								
EMI/RFI COMPLIANCE	FCC PART 18-A (NON-CONSUMER)								
SOUND RATING	" A "								
BALLAST TYPE	PROGRAMMED START								
VOLTAGE TRANSIENTS	MOV (ANSI C82.11)								
INPUT/PROTECTION	FUSE								
OUTPUT/PROTECTION	OPEN LAMP, SHORTED LAMP, END-OF-LIFE								
MIN. OPERATING TEMP	-30°C (-22°F)								
MAX. CASE TEMP	90°C (194°F) SEE FOOT NOTE WARRANTY								
APPROVALS/CLASS	UL /cUL LISTED, CLASS " P ", 1 OUTDOOR								
REMOTE MOUNTING	18 FT MAX.								

MECHANICAL DATA



Where : L = Length, W = Width, H = Height

WIRING DIAGRAMS



Use Wire Rated 300V, 90° c min. Use 18 AWG Solid Copper Wire Only Stripped to 3/8"

NOTE : This Ballast Must Be Grounded

Fulham extends a limited warranty only to the original purchaser or to the first user for a period of **5 years @ 75°C & 3 years @ 90°C** from the date of manufacture when properly installed and operated under normal conditions of use. For complete terms and conditions, please reference the Fulham product catalog (www.fulham.com) **Due to a program of continuous improvement, Fulham reserves the right to make modifications or variations in design or construction to the equipment described.**

SPECIFICATION SHEET : RHA-UNV-226-C

This Is An Original Product From Fulham Co., Inc

Description : RACEHORSE Series, Universal Operating Voltage, Programmed Start Ballast, End Of Life Protection, Auto Restart, Cold Starting Feature.

This Ballast Will Operate Following Lamps.



TWIN(FT), 4 PIN
13/18/24/36W



QUAD (CFQ), 4 PIN
26W



TRIPLE(CFTR)
26/32/42W



2D21/28/38W



CFM57W



CIRCLINE
T5CR22/40W

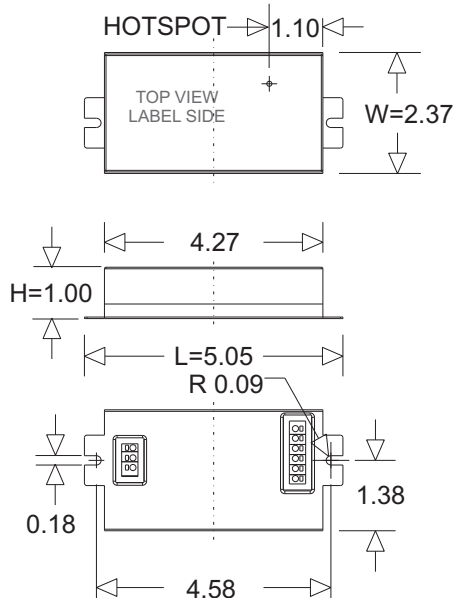


F24T5HO

ELECTRICAL DATA (With 120 Volt Application)

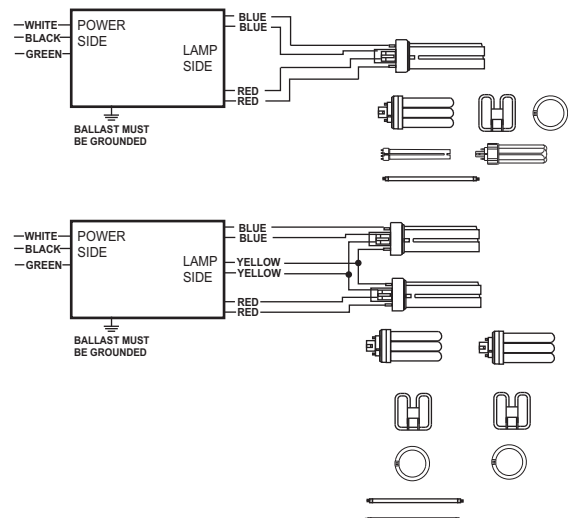
INPUT VOLT: 120V ± 10%, 50/60Hz									
LAMP WATTS/TYPE	2D28	2D38	F22WT5CR	F40WT5CR	CFM57	26CFQ	26CFTR	CFT18	CFT24
LAMPS OPERATED	1					2			
INPUT WATTS	33	33	27	40	52	59	54	35	51
LINE CURRENT:	0.28	0.28	0.23	0.34	0.43	0.49	0.45	0.29	0.43
POWER FACTOR	0.99	0.99	0.99	0.99	0.99	0.99	0.99	0.99	0.99
BALLAST FACTOR	1.27	0.89	1.07	0.99	0.97	1.01	1.01	0.97	1.01
EFFICACY FACTOR	3.78	2.70	3.92	2.45	1.88	1.71	1.86	2.77	1.98
THD	< 10%								
CURRENT CREST FACTOR	< 1.7								
EMI/RFI COMPLIANCE	FCC PART 18-A (NON-CONSUMER)								
SOUND RATING	" A "								
BALLAST TYPE	PROGRAMMED START								
VOLTAGE TRANSIENTS	MOV (ANSI C82.11)								
INPUT/PROTECTION	FUSE								
OUTPUT/PROTECTION	OPEN LAMP, SHORTED LAMP, END-OF-LIFE								
MIN. OPERATING TEMP	-30°C (-22°F)								
MAX. CASE TEMP	90°C (194°F) SEE FOOT NOTE WARRANTY								
APPROVALS/CLASS	UL /cUL LISTED, CLASS " P ", 1 OUTDOOR								
REMOTE MOUNTING	18 FT MAX.								

MECHANICAL DATA



Where : L = Length, W = Width, H = Height

WIRING DIAGRAMS



Use Wire Rated 300V, 90° c min. Use 18 AWG Solid Copper Wire Only Stripped to 3/8"

NOTE : This Ballast Must Be Grounded

Fulham extends a limited warranty only to the original purchaser or to the first user for a period of **5 years @ 75°C & 3 years @ 90°C** from the date of manufacture when properly installed and operated under normal conditions of use. For complete terms and conditions, please reference the Fulham product catalog (www.fulham.com) **Due to a program of continuous improvement, Fulham reserves the right to make modifications or variations in design or construction to the equipment described.**

SPECIFICATION SHEET : RHA-UNV-226-C

This Is An Original Product From Fulham Co., Inc

Description : RACEHORSE Series, Universal Operating Voltage, Programmed Start Ballast, End Of Life Protection, Auto Restart, Cold Starting Feature.

This Ballast Will Operate Following Lamps.



TWIN (FT), 4 PIN
13/18/24/36W



QUAD (CFQ), 4 PIN
26W



TRIPLE (CFTR)
26/32/42W



2D21/28/38W



CFM57W



CIRCLINE
T5CR22/40W

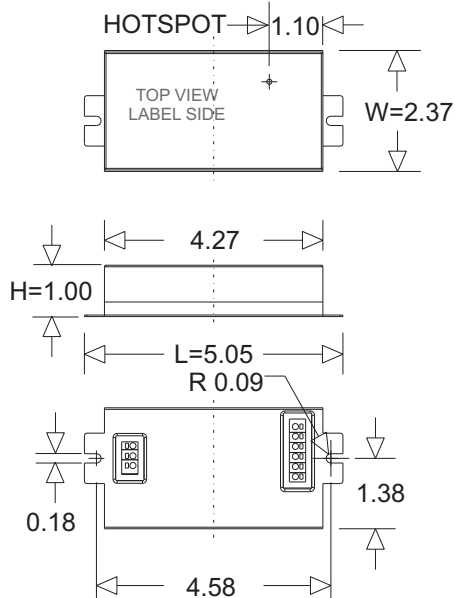


F24T5HO

ELECTRICAL DATA (With 120 Volt Application)

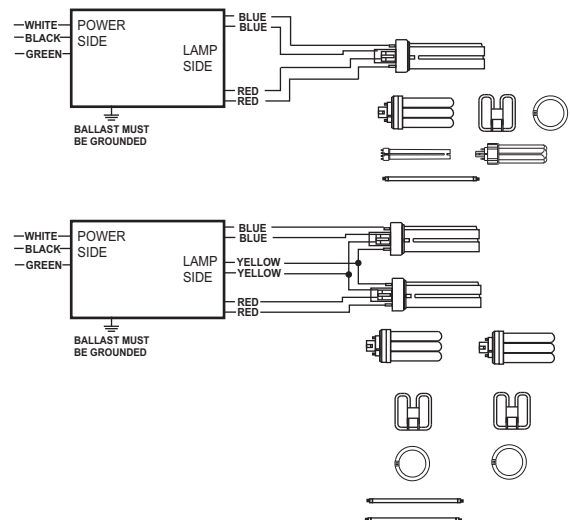
INPUT VOLT: 120V ± 10%, 50/60Hz			
LAMP WATTS/TYPE	CFT13	2D21	F24T5HO
LAMPS OPERATED	2		
INPUT WATTS	31	47	51
LINE CURRENT:	0.26	0.39	0.43
POWER FACTOR	0.99	0.99	0.99
BALLAST FACTOR	1.22	1.36	1.01
EFFICACY FACTOR	3.99	2.92	1.97
THD	< 10%		
CURRENT CREST FACTOR	< 1.7		
EMI/RFI COMPLIANCE	FCC PART 18-A (NON-CONSUMER)		
SOUND RATING	" A "		
BALLAST TYPE	PROGRAMMED START		
VOLTAGE TRANSIENTS	MOV (ANSI C82.11)		
INPUT/PROTECTION	FUSE		
OUTPUT/PROTECTION	OPEN LAMP, SHORTED LAMP, END-OF-LIFE		
MIN. OPERATING TEMP	-30°C (-22°F)		
MAX. CASE TEMP	90°C (194°F) SEE FOOT NOTE WARRANTY		
APPROVALS/CLASS	UL /cUL LISTED, CLASS " P ", 1 OUTDOOR		
REMOTE MOUNTING	18 FT MAX.		

MECHANICAL DATA



Where : L = Length, W = Width, H = Height

WIRING DIAGRAMS



Use Wire Rated 300V, 90° c min. Use 18 AWG Solid Copper Wire Only Stripped to 3/8"

NOTE : This Ballast Must Be Grounded

Fulham extends a limited warranty only to the original purchaser or to the first user for a period of **5 years @ 75°C & 3 years @ 90°C** from the date of manufacture when properly installed and operated under normal conditions of use. For complete terms and conditions, please reference the Fulham product catalog (www.fulham.com) **Due to a program of continuous improvement, Fulham reserves the right to make modifications or variations in design or construction to the equipment described.**

SPECIFICATION SHEET : RHA-UNV-226-C

This Is An Original Product From Fulham Co., Inc

Description : RACEHORSE Series, Universal Operating Voltage, Programmed Start Ballast, End Of Life Protection, Auto Restart, Cold Starting Feature.

This Ballast Will Operate Following Lamps.



TWIN(FT), 4 PIN
13/18/24/36W



QUAD (CFQ), 4 PIN
26W



TRIPLE(CFTR)
26/32/42W



2D21/28/38W



CFM57W



CIRCLINE
T5CR22/40W

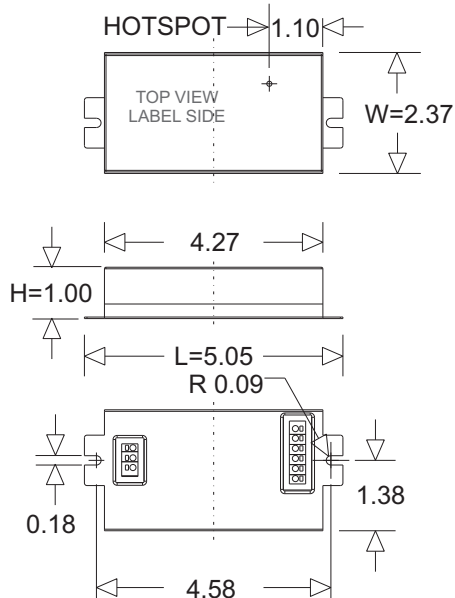


F24T5HO

ELECTRICAL DATA (With 277 Volt Application)

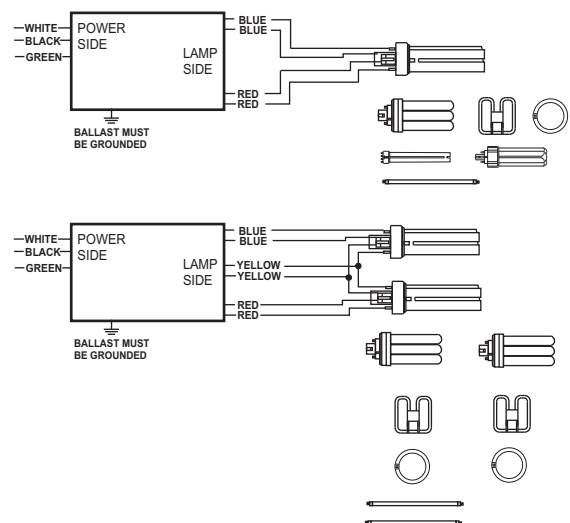
INPUT VOLT: 277V ± 10%, 50/60Hz									
LAMP WATTS/TYPE	26CFQ	26CFTR	32CFTR	42CFTR	CFT13	CFT18	CFT24	CFT36	2D21
LAMPS OPERATED	1								
INPUT WATTS	30	28	31	44	17	18	27	34	25
LINE CURRENT:	0.11	0.10	0.12	0.16	0.07	0.07	0.10	0.13	0.09
POWER FACTOR	0.96	0.95	0.96	0.98	0.90	0.91	0.95	0.97	0.95
BALLAST FACTOR	1.06	1.06	0.98	0.98	1.26	1.00	1.06	0.88	1.44
EFFICACY FACTOR	3.59	3.83	3.17	2.21	7.36	5.49	3.98	2.59	5.83
THD	< 10%								
CURRENT CREST FACTOR	< 1.7								
EMI/RFI COMPLIANCE	FCC PART 18-A (NON-CONSUMER)								
SOUND RATING	" A "								
BALLAST TYPE	PROGRAMMED START								
VOLTAGE TRANSIENTS	MOV (ANSI C82.11)								
INPUT/PROTECTION	FUSE								
OUTPUT/PROTECTION	OPEN LAMP, SHORTED LAMP, END-OF-LIFE								
MIN. OPERATING TEMP	-30°C (-22°F)								
MAX. CASE TEMP	90°C (194°F) SEE FOOT NOTE WARRANTY								
APPROVALS/CLASS	UL /cUL LISTED, CLASS " P ", 1 OUTDOOR								
REMOTE MOUNTING	18 FT MAX.								

MECHANICAL DATA



Where : L = Length, W = Width, H = Height

WIRING DIAGRAMS



Use Wire Rated 300V, 90° c min. Use 18 AWG Solid Copper Wire Only Stripped to 3/8"

NOTE : This Ballast Must Be Grounded

Fulham extends a limited warranty only to the original purchaser or to the first user for a period of **5 years @ 75°C & 3 years @ 90°C** from the date of manufacture when properly installed and operated under normal conditions of use. For complete terms and conditions, please reference the Fulham product catalog (www.fulham.com) **Due to a program of continuous improvement, Fulham reserves the right to make modifications or variations in design or construction to the equipment described.**

SPECIFICATION SHEET : RHA-UNV-226-C

This Is An Original Product From Fulham Co., Inc

Description : RACEHORSE Series, Universal Operating Voltage, Programmed Start Ballast, End Of Life Protection, Auto Restart, Cold Starting Feature.

This Ballast Will Operate Following Lamps.



TWIN(FT), 4 PIN
13/18/24/36W



QUAD (CFQ), 4 PIN
26W



TRIPLE(CFTR)
26/32/42W



2D21/28/38W



CFM57W



CIRCLINE
T5CR22/40W

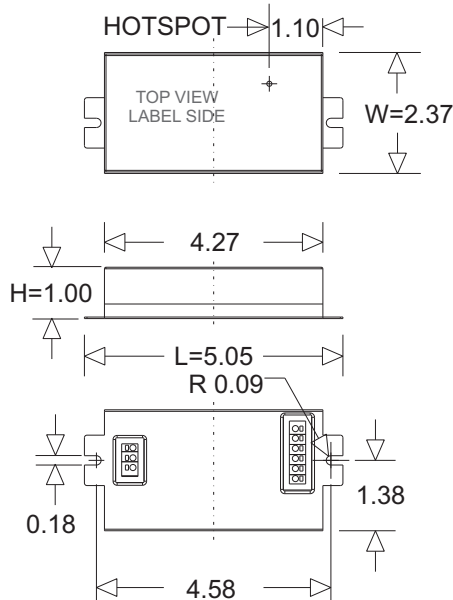


F24T5HO

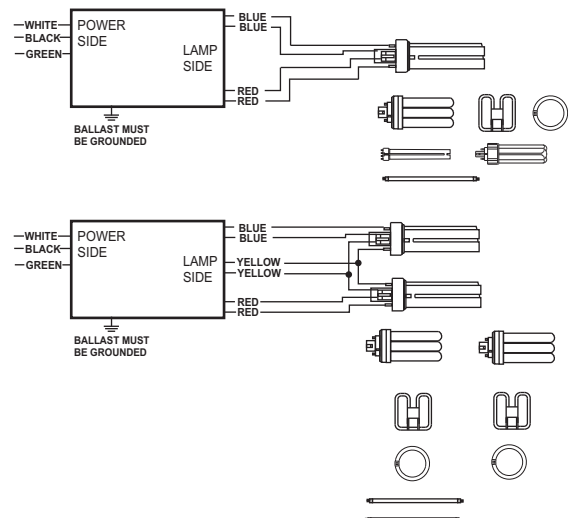
ELECTRICAL DATA (With 277 Volt Application)

INPUT VOLT: 277V ± 10%, 50/60Hz									
LAMP WATTS/TYPE	2D28	2D38	F22WT5CR	F40WT5CR	CFM57	CFQ26	CFTR26	CFT18	CFT24
LAMPS OPERATED	1					2			
INPUT WATTS	33	32	27	40	51	58	51	34	49
LINE CURRENT:	0.12	0.12	0.10	0.15	0.19	0.21	0.19	0.13	0.18
POWER FACTOR	0.97	0.97	0.96	0.97	0.99	0.99	0.99	0.97	0.98
BALLAST FACTOR	1.26	0.89	1.07	0.98	0.97	1.00	1.00	0.97	1.00
EFFICACY FACTOR	3.83	2.76	3.98	2.48	1.89	1.72	1.95	2.82	2.05
THD	<10%								
CURRENT CREST FACTOR	< 1.7								
EMI/RFI COMPLIANCE	FCC PART 18-A (NON-CONSUMER)								
SOUND RATING	" A "								
BALLAST TYPE	PROGRAMMED START								
VOLTAGE TRANSIENTS	MOV (ANSI C82.11)								
INPUT/PROTECTION	FUSE								
OUTPUT/PROTECTION	OPEN LAMP, SHORTED LAMP, END-OF-LIFE								
MIN. OPERATING TEMP	-30°C (-22°F)								
MAX. CASE TEMP	90°C (194°F) SEE FOOT NOTE WARRANTY								
APPROVALS/CLASS	UL /cUL LISTED, CLASS " P ", 1 OUTDOOR								
REMOTE MOUNTING	18 FT MAX.								

MECHANICAL DATA



WIRING DIAGRAMS



Use Wire Rated 300V, 90° c min. Use 18 AWG Solid Copper Wire Only Stripped to 3/8"

NOTE : This Ballast Must Be Grounded

Fulham extends a limited warranty only to the original purchaser or to the first user for a period of **5 years @ 75°C & 3 years @ 90°C** from the date of manufacture when properly installed and operated under normal conditions of use. For complete terms and conditions, please reference the Fulham product catalog (www.fulham.com) **Due to a program of continuous improvement, Fulham reserves the right to make modifications or variations in design or construction to the equipment described.**

SPECIFICATION SHEET : RHA-UNV-226-C

This Is An Original Product From Fulham Co., Inc

Description : RACEHORSE Series, Universal Operating Voltage, Programmed Start Ballast, End Of Life Protection, Auto Restart, Cold Starting Feature.

This Ballast Will Operate Following Lamps.



TWIN(FT), 4 PIN
13/18/24/36W



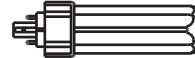
QUAD (CFQ), 4 PIN
26W



TRIPLE(CFTR)
26/32/42W



2D21/28/38W



CFM57W



CIRCLINE
T5CR22/40W

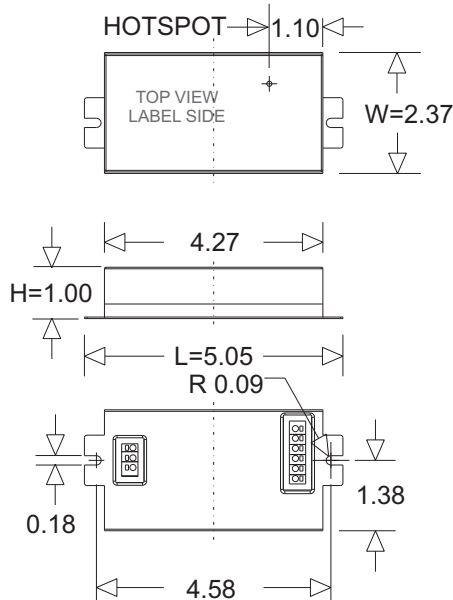


F24T5HO

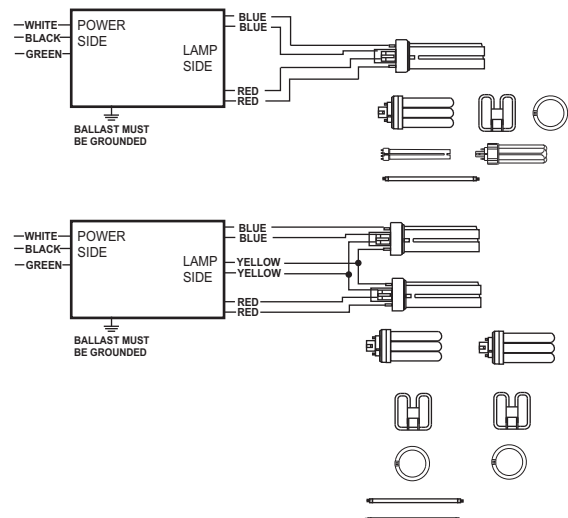
ELECTRICAL DATA (With 277 Volt Application)

INPUT VOLT: 277V ± 10%, 50/60Hz			
LAMP WATTS/TYPE	CFT13	2D21	F24T5HO
LAMPS OPERATED	2		
INPUT WATTS	30	47	50
LINE CURRENT:	0.11	0.17	0.18
POWER FACTOR	0.96	0.98	0.99
BALLAST FACTOR	1.22	1.37	1.00
EFFICACY FACTOR	4.04	2.93	2.00
THD	<10%		
CURRENT CREST FACTOR	< 1.7		
EMI/RFI COMPLIANCE	FCC PART 18-A (NON-CONSUMER)		
SOUND RATING	" A "		
BALLAST TYPE	PROGRAMMED START		
VOLTAGE TRANSIENTS	MOV (ANSI C82.11)		
INPUT/PROTECTION	FUSE		
OUTPUT/PROTECTION	OPEN LAMP, SHORTED LAMP, END-OF-LIFE		
MIN. OPERATING TEMP	-30°C (-22°F)		
MAX. CASE TEMP	90°C (194°F) SEE FOOT NOTE WARRANTY		
APPROVALS/CLASS	UL /cUL LISTED, CLASS " P ", 1 OUTDOOR		
REMOTE MOUNTING	18 FT MAX.		

MECHANICAL DATA



WIRING DIAGRAMS



Use Wire Rated 300V, 90° c min. Use 18 AWG Solid Copper Wire Only Stripped to 3/8"

NOTE : This Ballast Must Be Grounded

Fulham extends a limited warranty only to the original purchaser or to the first user for a period of **5 years @ 75°C & 3 years @ 90°C** from the date of manufacture when properly installed and operated under normal conditions of use. For complete terms and conditions, please reference the Fulham product catalog (www.fulham.com) **Due to a program of continuous improvement, Fulham reserves the right to make modifications or variations in design or construction to the equipment described.**