

The Brightest Idea is Emergency Lighting with LEDs

GENERAL DESCRIPTION

A powerful LED emergency fixture designed for low profile, recessed ceiling mount. Suitable for dry or damp locations at mounting heights to 30 ft or more from floor level. Dual function operation in either emergency or normal mode.



CONSTRUCTION

- Trim Plate from machined aluminum, available with brushed finish or a variety of satin enamel paint colors.
- Steel housing complete with butterfly brackets and heavy duty hanger bars extending to 24”.

APPLICATIONS

- **Standard Model:** Maximum Floor Coverage from Ceiling Heights up to 40 Feet and More
- **Wide Angle Lens Option:** Maximum Floor Coverage from a Standard Ceiling Height

ENERGY EFFICIENT OPERATION

- Over 120 Lm/watt delivered from high efficiency LEDs, delivering up to 3,600 lumens.
- 70% lumen maintenance (L70) at 50,000 hrs
- IES photometric data available for all models.
- LED color temperature 4,700K and CRI of 70.

ELECTRONICS

- Self-Test diagnostics standard in all models, with all required monthly and annual tests completed automatically.
- LED arrays are wired in series-parallel strings, ensuring that lamp continues to operate after failure of a single LED or string.

CODES

- Listed to UL 924 for emergency operation, ROHS compliant, LM-79 tested, Lamp Enclosure rated IP67.

WARRANTY

- 5 Year total customer satisfaction warranty on construction and electronics; batteries are pro- rated. For details, see product catalog technical data section.



FIXTURE SCHEDULE

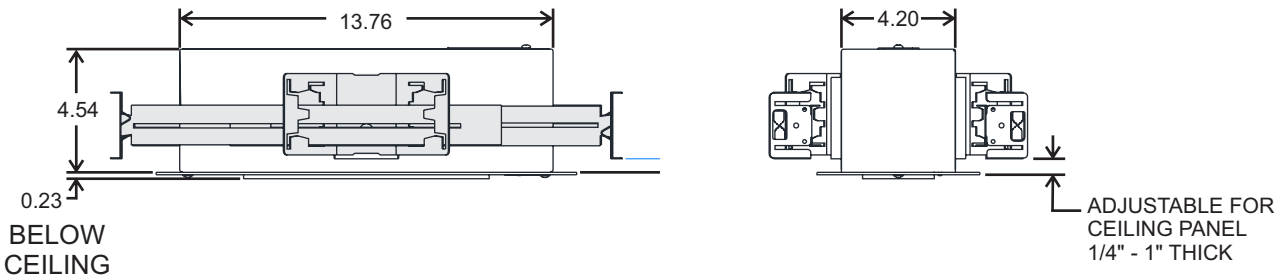
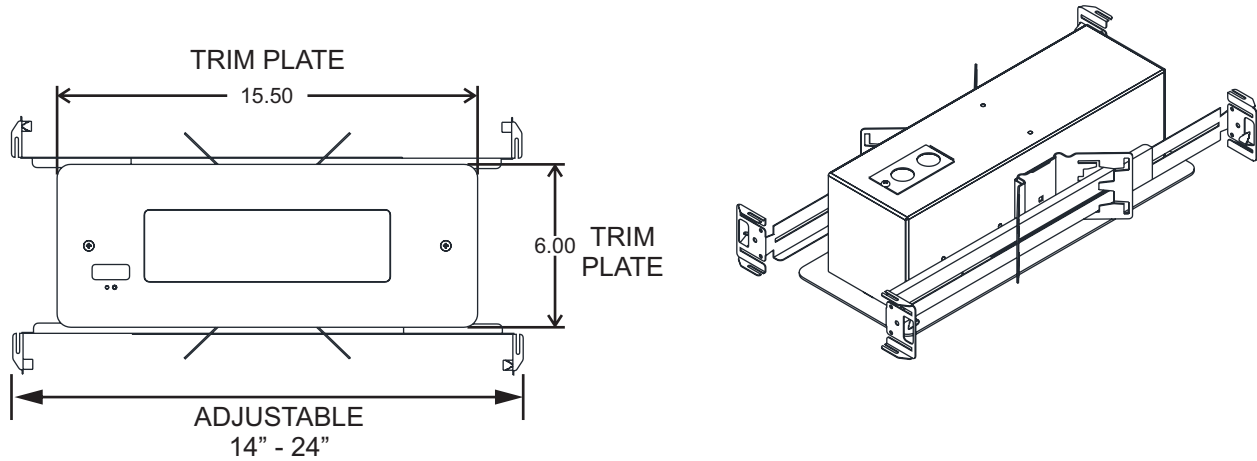
MODEL	CATALOG NO
APPROVAL	JOB INFORMATION



SUGGESTED SPECIFICATIONS:

Install MOONLITE® Series MHE High Output LED emergency lighting fixture manufactured by Sigtex Inc., available as unit equipment. Upon loss of AC building power, emergency lighting will be activated for a minimum of 90 minutes under battery power, in compliance with UL 924 and NFPA Life Safety Code 101. The unit may be specified to operate continuously for security or night lighting, as required.

MOUNTING DATA & DIMENSIONS:



ORDERING INFORMATION: EXAMPLE: MHEBB30RW-WA

MHE	BB	30	R	W	—	WA
MODEL SERIES	OPERATION	EMERGENCY/ SECURITY POWER RATING	MOUNT	FINISH		OPTIONS
MHE	BB= Battery Backup	30= 30 Watts	R= Recessed	W= Satin White A= Aluminum X= Custom		WA= Wide Angle



Sigtex Inc
LIGHTING

220 VFW Avenue, Grasonville, MD 21638
TEL: (410) 827-8300 Fax: (410) 827-8866
sales@sigtexinc.com www.sigtexinc.com

DISTRIBUTOR:

Specifications and Dimensions subject to change without notice.