

Job/Location: \_\_\_\_\_

Contractor: \_\_\_\_\_ Prepared By: \_\_\_\_\_

Model Number: \_\_\_\_\_ Date: \_\_\_\_\_

- Die-cast aluminum construction
- 1821 lumens or 2328 lumens
- Impact resistant acrylic lens
- NEMA 4X rating for wet locations
- Stainless steel swivel for precise aiming



### ■ high output LED REMOTE

The **TESTA** high output remote heads are designed for applications requiring maximum light output. With up to 2328 lumens per head and precise optics, the **TESTA** is the perfect choice for high ceilings and long tunnels.

### ■ external specifications

The **TESTA** series housings are constructed from corrosion resistant, cast aluminum. Lenses are made from impact resistant acrylic to resist yellowing. The NEMA 4X design of the **TESTA** is fully gasketed for protection against wet and dust-filled environments.

### ■ led head

Each **TESTA** can be configured with one or two heads. Each head consumes a max of 27W. The **TESTA** is available in a round style with 1821 lm or square style with 2328 lm.

### ■ installation

The **TESTA** series of remotes fixtures are suitable for surface wall and surface ceiling in both indoor and outdoor environments. The operating temperature is -22°F to 104°F (-30°C to 40°C).

### ■ electrical rating

Testa Head	Voltage (V)	Rated Current (A)	Max Wattage (W)
Round	12V	2.25	27
	24V	1.125	
Square	12V	2.25	27
	24V	1.125	

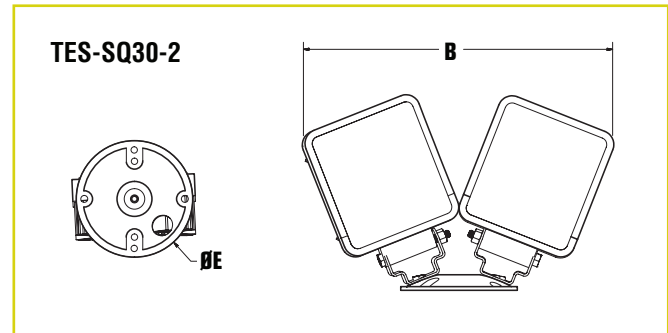
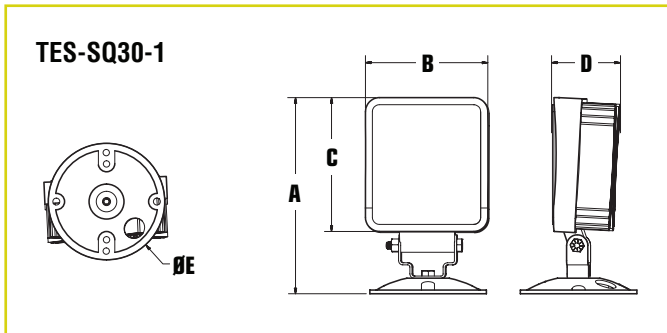
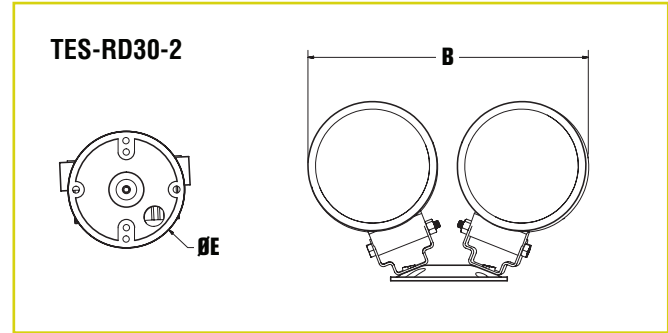
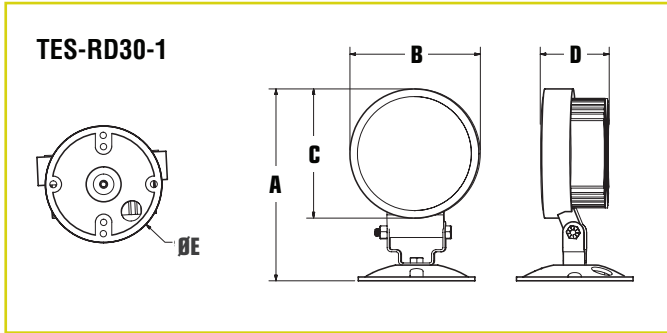
### ■ ordering logic

Series	Output	Head #	Voltage	Options
TES	RD30 (1821 lm)	1 (Single head)	12-24V	LC (Less canopy)
	SQ30 (2328 lm)	2 (Double head)		

EXAMPLE: TES-SQ30-1-12-24V

DESCRIPTION: TESTA High Output Remote, square shape, 27W, 2328 lumens, 12-24VDC LED

## ■ dimensions



Model	A	B	C	D	E
TES-RD30-1 Single	7 <sup>1/2</sup> " 191mm	4 <sup>1/2</sup> " 114mm	4 <sup>1/2</sup> " 114mm	2 <sup>1/4</sup> " 57mm	4" 10mm
TES-RD30-2 Double		10" 254mm			10mm 4"
TES-SQ30-1 Single	7" 178mm	4 <sup>1/4</sup> " 108mm	4 <sup>3/4</sup> " 121mm	2 <sup>1/2</sup> " 64mm	4" 10mm
TES-SQ30-2 Double		11" 279mm			4" 10mm