

FEATURES & SPECIFICATIONS

INTENDED USE — Wet location, recessed LED troffer for general illumination of demanding environments subject to dust and moisture. Typical applications include shower areas, bathrooms, recreational facilities and canopies.

Certain airborne contaminants may adversely affect the functioning of LEDs and other electronic components, depending on various factors such as concentrations of the contaminants, ventilation, and temperature at the end-user location. [Click here for a list of substances that may not be suitable for interaction with LEDs and other electronic components.](#)

CONSTRUCTION — Housing is made from 20-gauge cold rolled steel. Door frame is 16-gauge painted aluminum and lens is diffused acrylic. Solid silicone gasketing design. Durable IK10 rated luminaire.

Finish: All CRS (cold rolled steel) and aluminum parts are finished with electrostatically deposited, thermally set, polyester powder paint after fabrication. Door frame finish available in black, white and silver colors. Enclosure finish available in white, Antimicrobial white and super-durable white.

OPTICS — Long-life LEDs, coupled with high-efficiency drivers, provide extended service life. Lumen maintenance of L80/60,000 hours, L70>100,000 hours.

ELECTRICAL — Thermally protected, resetting, Class P, UL listed, CSA certified driver is standard.

LED driver delivers dimming from a 0-10V control signal. Dims to 1% standard.

Luminaire Surge Protection Level: Designed to withstand up to 6kV/3kA per ANSI C82.77-5-2015.

Optional integrated nLight controls make each luminaire addressable - allowing it to digitally communicate with other nLight enabled controls such as dimmers, switches, occupancy sensors and photocontrols. Connection to nLight is simple. nLight AIR is commissioned easily through an intuitive mobile app.

SENSOR — **Integrated sensor (individual control):** Sensor Switch SBG family offers low- or high-mount options and integrated occupancy sensors with optional dimming that can allow the luminaire to power off when the space is unoccupied or enough ambient light is entering the space. See page 4 for more details on the integrated sensor.

Integrated Bluetooth Sensor (individual control): Sensor Switch SBG family offers low- or high-mount options and integrated occupancy sensors with dimming photocells that allow for changing settings using Bluetooth® communication (up to 100 ft. range) using the SensorSwitch VLP mobile app.

Integrated Smart Sensor (nLight Air Wireless Platform): The SBG sensor is nLight AIR enabled, meaning it has the ability to communicate over the wireless nLight control platform. It is available with an integrated photocell using Digital Passive Infrared technology for motion detection, and optional dimming.

INSTALLATION — Lay-in grid or in-ceiling sheet rock installation using swing-arms with range from 1" to 2" grid height. See drawings for other critical dimensions. Swing-arms are not intended to secure fixture without additional support. Line voltage supply wiring entrance opening is 7/8".

LISTINGS — CSA certified to meet U.S. and Canadian standards (UL1598 and UL8750) or NOM Certified. IC rated. Wet location listed. IP65 & IP66 rated from room side (overlap door only). FPA option: NSF Splash Zone 2 (overlap door only & DWAM finish only). For ambient temperature ratings, see chart on page 3.

DesignLights Consortium® (DLC) Premium qualified product and DLC qualified product. Not all versions of this product may be DLC Premium qualified or DLC qualified. Please check the DLC Qualified Products List at www.designlights.org/QPL to confirm which versions are qualified.

Government Procurement

BAA – Buy America(n) Act: Product qualifies as a domestic end product under the Buy American Act as implemented in the FAR and DFARS. Product also qualifies as manufactured in the United States under DOT Buy America regulations

BABA - Build America Buy America: Product qualifies as produced in the United States under the definitions of the Build America, Buy America Act

Please refer to www.acuitybrands.com/buy-american for additional information

WARRANTY — 5-year limited warranty. This is the only warranty provided and no other statements in this specification sheet create any warranty of any kind. All other express and implied warranties are disclaimed. Complete warranty terms located at: www.acuitybrands.com/support/warranty/terms-and-conditions

Note: Actual performance may differ as a result of end-user environment and application.

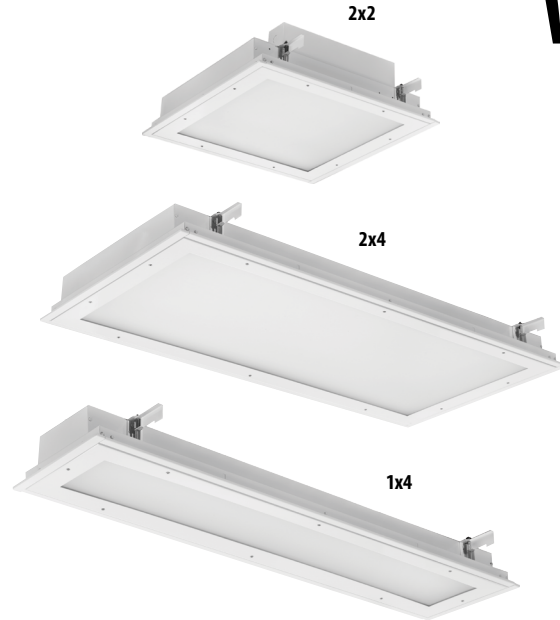
All values are design or typical values, measured under laboratory conditions at 25 °C.

Specifications subject to change without notice.

Catalog Number
Notes
Type

LED Recessed Wet Location Troffer

WRTL



A+ Capable Luminaire

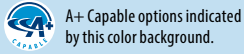
This item is an A+ capable luminaire, which has been designed and tested to provide consistent color appearance and out-of-the-box control compatibility with simple commissioning.

- All configurations of this luminaire meet the Acuity Brands' specification for chromatic consistency
- This luminaire is part of an A+ Certified solution for nLight® control networks marked by a **shaded background***

To learn more about A+, visit www.acuitybrands.com/aplus.

*See ordering tree for details

WRTL LED Recessed Wet Location Troffer

 A+ Capable options indicated by this color background.

ORDERING INFORMATION

Lead times will vary depending on options selected. Consult with your sales representative.

Example: 2WRTL G L48 18000LM IAW AFL MVOLT GZ1 40K 80CRI WH

Series	Trim type	Length	Nominal Lumens ‡								
WRTL Recessed wet location troffer, 1' wide ‡	G Grid (9/16" - 1 1/2" W x 2" H)	L24 24"	1x4:		2x2:		2x4:				
	F Flange	L48 48"	3000LM 3,000 lumens	5000LM 5,000 lumens	7000LM 7,000 lumens ‡	10000LM 10,000 lumens ‡	12000LM 12,000 lumens	15000LM 15,000 lumens	18000LM 18,000 lumens ‡	24000LM 24,000 lumens ‡	30000LM 30,000 lumens
2WRTL Recessed wet location troffer, 2' wide			3000LM 3,000 lumens	5000LM 5,000 lumens	7000LM 7,000 lumens	10000LM 10,000 lumens ‡	12000LM 12,000 lumens ‡	15000LM 15,000 lumens	18000LM 18,000 lumens ‡	24000LM 24,000 lumens ‡	30000LM 30,000 lumens
			5000LM 5,000 lumens	7000LM 7,000 lumens	10000LM 10,000 lumens ‡	12000LM 12,000 lumens ‡	15000LM 15,000 lumens	18000LM 18,000 lumens ‡	24000LM 24,000 lumens ‡	30000LM 30,000 lumens	
			7000LM 7,000 lumens ‡	10000LM 10,000 lumens ‡	12000LM 12,000 lumens ‡	15000LM 15,000 lumens	18000LM 18,000 lumens ‡	24000LM 24,000 lumens ‡	30000LM 30,000 lumens		
			10000LM 10,000 lumens ‡	12000LM 12,000 lumens ‡	15000LM 15,000 lumens	18000LM 18,000 lumens					
			12000LM 12,000 lumens								

Door frame	Diffuser type	Distribution	Voltage	Driver	Color temperature	Color rendering index
OAW Overlapping aluminum, white	AFL Acrylic, frosted (.125" Thick)	MD Medium distribution	MVOLT 120-277V	GZ1 0-10V dimming ‡	30K 3000 K	80CRI 80 CRI
OAN Overlapping aluminum, silver			120 120V	EZ1 eidoLED 0-10V ECOdrive. Linear dimming to 1% min.	35K 3500 K	90CRI 90 CRI
OAM Overlapping aluminum, black		ND Narrow distribution	208 208V		40K 4000 K	
IAW Inset aluminum, white			240 240V		50K 5000 K	
IAN Inset aluminum, silver			277 277V			
IAM Inset aluminum, black			347 347V ‡			

Options	Finish
ETS Generator Transfer Device	WH White DWAM Antimicrobial, white DWHXD Super durable, white
E10WLCP EM Self-diagnostics battery pack, 10W, Constant Power Certified in CA Title 20 MAEDBS ‡	
FPA Food processing area ‡	
SF Single fusing	
DF Double fusing	
RRL_ RELOC®-Ready luminaire ‡	
SPD Surge protection, 10kV	
SLD Step level dimming, 100% to 50%	
Individual Controls: ‡	
SBG6 360° High Mount sensor, (15-30' mounting heights), on/off occupancy (LINK)	nLight Wireless:
SBG10 360° Low Mount Sensor, (8-15' mounting heights), on/off occupancy (LINK)	NLTAIR2 APIRM Embedded wireless controls from nLight; passive Infrared Occ sensor with autodimming photocell for medium (15-30') mounting height applications (LINK)
SBG6 P 360° High Mount Sensor, (15-30' mounting heights), on/off photocell (LINK)	NLTAIREM2 APIRM Embedded wireless controls from nLight with UL924 listed emergency operation; passive Infrared Occ sensor with autodimming photocell for medium (15-30') mounting height applications (LINK)
SBG10 P 360° Low Mount Sensor, (8-15' mounting heights), on/off photocell (LINK)	NLTAIRER2 APIRM Embedded wireless controls from nLight with UL924 listed emergency operation via power sense leads; Passive Infrared Occ sensor with auto-dimming photocell for medium (15-30') mounting height applications (LINK)
SBG6 D 3V 360° High Mount sensor, (15-30' mounting heights), high/low occupancy dimming (LINK)	NLTAIR2 APIR Embedded wireless controls from nLight; passive Infrared occ sensor with autodimming photocell for low mounting height applications (LINK)
SBG10 D 3V 360° Low Mount sensor, (8-15' mounting heights), high/low occupancy dimming (LINK)	NLTAIREM2 APIR Embedded wireless controls from nLight with UL924 listed emergency operation; Passive Infrared Occ sensor with autodimming photocell for low mounting height applications (LINK)
Bluetooth Sensors:	
SBG6 OCC BTP 360° High Mount Sensor, (15-45' mounting heights), on/off occupancy, utilizes smart hub for Bluetooth® programmability (LINK)	NLTAIRER2 APIR Embedded wireless controls from nLight with UL924 listed emergency operation via power sense leads; passive Infrared Occ sensor with auto dimming photocell for low mounting height applications (LINK)
SBG10 OCC BTP 360° Low Mount Sensor, (7-15' mounting heights), on/off occupancy, utilizes smart hub for Bluetooth® programmability (LINK)	NLTAIR2 APIRH Embedded wireless controls from nLight; passive infrared occ sensor with autodimming photocell for high mounting height applications (LINK)
SBG6 HL BTP 360° High Mount Sensor, (15-45' mounting heights), high/low (off) occupancy dimming, utilizes smart hub for Bluetooth® programmability (LINK)	NLTAIREM2 APIRH Embedded wireless controls from nLight with UL924 listed emergency operation; passive infrared occ sensor with auto-dimming photocell for high mounting height applications (LINK)
SBG10 HL BTP 360° Low Mount Sensor, (7-15' mounting heights), high/low (off) occupancy dimming, utilizes smart hub for Bluetooth® programmability (LINK)	NLTAIR2 APIRH Embedded wireless controls from nLight (LINK)
SBG6 ADC BTP 360° High Mount Sensor, (15-45' mounting heights), on/off occupancy with auto dimming photocell, utilizes smart hub for Bluetooth® programmability (LINK)	NLTAIREM2 APIRH Embedded wireless controls from nLight with UL924 listed emergency operation via power sense leads; passive infrared occ sensor with auto-dimming photocell for high mounting height applications (LINK)
SBG10 ADC BTP 360° Low Mount Sensor, (7-15' mounting heights), on/off occupancy with auto dimming photocell, utilizes smart hub for Bluetooth® programmability (LINK)	NLTAIRER2 APIRH Embedded wireless controls from nLight with UL924 listed emergency operation via power sense leads; passive infrared occ sensor with auto-dimming photocell for high mounting height applications (LINK)
SBG6 ANL BTP 360° High Mount Sensor, (15-45' mounting heights), high/low (off) occupancy dimming with auto dimming photocell, utilizes smart hub for Bluetooth® programmability (LINK)	NLTAIR2 Embedded wireless controls from nLight (LINK)
SBG10 ANL BTP 360° Low Mount Sensor, (7-15' mounting heights), high/low (off) occupancy dimming with auto dimming photocell, utilizes smart hub for Bluetooth® programmability (LINK)	NLTAIREM2 Embedded wireless controls from nLight with UL924 listed emergency operation (LINK)
	NLTAIRER2 Embedded wireless controls from nLight with UL924 listed emergency operation via power sense leads (LINK)

WRTL LED Recessed Wet Location Troffer

CONFIGURATIONS

Lumens	1' X 4'	2' X 2'	2' X 4'
3,000LM	X	X	X
5,000LM	X	X	X
7,000LM	X	X	X
10,000LM	X	X	X
12,000LM	X	X	
15,000LM		X	X
18,000LM		X	X
24,000LM			X
30,000LM			X

Accessories: Ships separate from fixture.

XRTL XLF FLANGE KIT Field installable extra-large flange kit

‡ Option Value Ordering Restrictions

Option Value	Restriction
1x4 7000LM	Not available with E10WLCP, Non- IC rated. Must specify voltage.
1x4 10000LM	Non-IC rated. Must specify voltage.
2x2 10000LM	Non-IC rated. Must specify voltage.
2x2 12000LM	Non-IC rated. Must specify voltage.
2X4 15000LM	Not available with GZ1. Non-IC rated. Must specify voltage.
2X4 18000LM	Not available with GZ1. Non-IC rated. Must specify voltage.
2X4 24000LM	Not available with GZ1. Non-IC rated. Must specify voltage.
347V	Utilizes step-down transformer. Refer to back box table on page 4.
BGTD	Not available with MVOLT, 208v, 240v, 347v, OR E10WLCP. Only available with 120v or 277v. For use in ambient temperatures ranging from -4°F (-20°C) to 77°F (25°C).
E10WLCP	Must specify voltage. Not available with MVOLT, 347v, or BGTD. Not available with 1x4 7000LM. For use in ambient temperatures from 0°C (32°F) to 25°C (77°F). See spec sheet PS1055LCP (10W Linear Constant Power) for more information. Meets CA Title 20 compliance.
Finish	Only DWAM and WH paint finish are NSF Certified for non-food contact.
FPA	Provides NSF labeling for Splash Zone 2 (non-food contact). Only available with OAW overlapping doorframe and WH or DWAM finish.
GZ1	Not available with 15000LM, 18000 and 24000LM. Not available with individual controls.
Individual Controls	Cannot be used with other control options-MSE or nLight. Not available with BGTD. Not available with GZ1.
nLight	Cannot be used with other control options-MSE or nLight. Not available with BGTD. Not available with GZ1.
Nominal Lumens	Not all lumen packages are available with every length/width combination. See configuration chart for availability.
PS1050	Not available with 1x4 7000LM or 10000LM. Not available with 347V. BGTD and PS1050 are Non-IC. Refer to PS1050 specification sheet for more information. Utilizes back box. For use in ambient temperatures ranging from -4°F (-20°C) to 77°F (25°C).
RRL_	See ordering information on page 7
WRTL	Only available with L48 length.
XLF	For use with inset doors only.

Maximum Ambient Temperatures (Celsius)

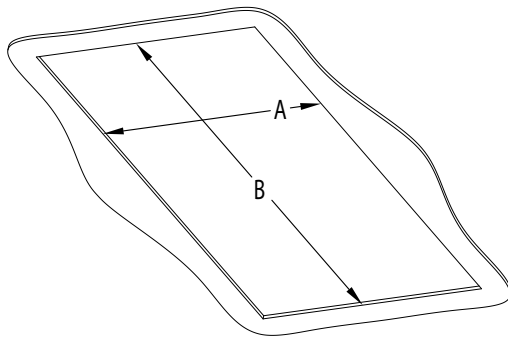
Fixture size	Lumen package	IC rating	Standard fixture including controls	E10WLCP	ETS
1 X4	3000LM	IC	40	30	30
	5000LM	IC	40	30	30
	7000LM	IC	40	30	30
	10000LM	NON-IC	40	25	35
	12000LM	NON-IC	40	25	35
2X2	3000LM	IC	40	30	30
	5000LM	IC	40	30	30
	7000LM	IC	40	30	30
	10000LM	NON-IC	40	25	35
	12000LM	NON-IC	40	25	35
	15000LM	NON-IC	40	N/A	25
2X4	3000LM	IC	40	30	30
	5000LM	IC	40	30	30
	7000LM	IC	40	30	30
	10000LM	IC	40	30	30
	12000LM	IC	40	30	30
	15000LM	NON-IC	40	25	35
	18000LM	NON-IC	40	25	35
	24000LM	NON-IC	40	25	35
30000LM	NON-IC	35	N/A	N/A	

WRTL LED Recessed Wet Location Troffer

Control Type	Sensor Nomenclature	Sensor Used	Out of the box settings					Fixture Image with Sensor	Notes
			Unoccupied Time Until Dim	Dim to Off Time Delay	Occupied Dim Level	Unoccupied Dim Level	Daylighting Set Point		
Standalone	SBG10	SBG 10 EZ WH 0V	5M	n/a	100%	0V	n/a		
	SBG10 D	SBG 10 EZ WH 3V	5M	n/a	100%	30%	n/a		
	SBG10 P	SBG 10 EZ P WH 0V 10M	10M	n/a	100%	0V	5FC		
	SBG6	SBG 6 EZ WH 0V	5M	n/a	100%	0V	n/a		
	SBG6 D	SBG 6 EZ WH 3V	5M	n/a	100%	30%	n/a		
	SBG6 P	SBG 6 EZ P WH 0V 10M	10M	n/a	100%	0V	5FC		
Bluetooth	SBG10 OCC BTP	SBG10 BTP OCC	10M	n/a	10V	n/a	n/a		Not a dimming sensor, so no dim to off, it just goes off
	SBG10 HL BTP	SBG10 BTP HL	10M	2.5M	10V	10%	n/a		
	SBG10 ADC BTP	SBG10 BTP ADC	10M	2.5M	10V	10%	50FC		
	SBG10 ANL BTP	SBG10 BTP ANL	10M	n/a	10V	10%	50FC		
	SBG6 OCC BTP	SBG6 BTP OCC	10M	n/a	10V	n/a	n/a		
	SBG6 HL BTP	SBG6 BTP HL	10M	2.5M	10V	10%	n/a		
	SBG6 ADC BTP	SBG6 BTP ADC	10M	2.5M	10V	10%	50FC		
	SBG6 ANL BTP	SBG6 BTP ANL	10M	n/a	10V	10%	50FC		
NLTAIR2	APIR	RSBG10	7.5M	2.5M	100%	10%	50FC		
NLTAIREM2	NLTAIR2 APIRM	RSBG6							
NLTAIRER2	APIRH	RSBG40							
NLTAIR2	NLTAIR2KO	RIO	n/a	n/a	80%	n/a	n/a	Not a sensor	

MOUNTING DATA

Rough-in



Rough-in dimensions

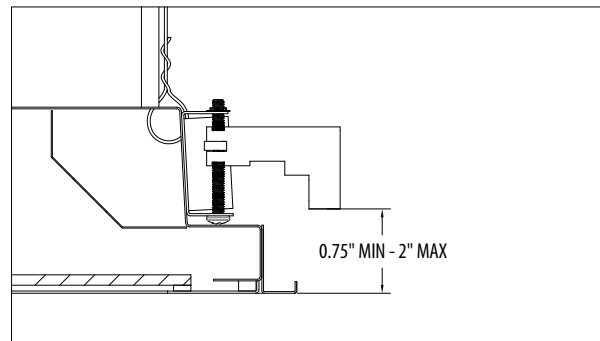
Series	Length	Width (inches)	Length (inches)
WRTL	L48	10 23/32	46 21/32
2WRTL	L24	22 23/32	22 21/32
2WRTL	L48	22 23/32	46 21/32

Weight: (may vary with options or accessories)

1x4: 36 lbs (16.3kg)

2x2: 36 lbs (16.3kg)

2x4: 53 lbs (24.0kg)



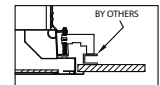
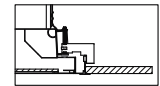
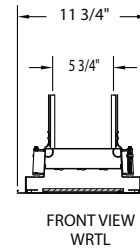
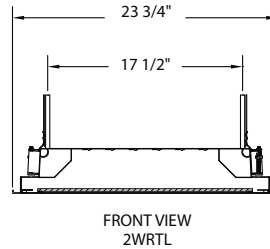
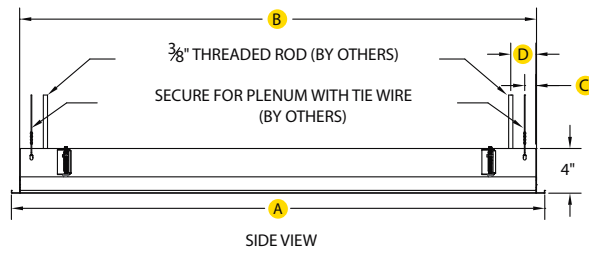
Swing-Arm Reach: 1 3/4"

Swing-arm adjustable range: .75" - 2"

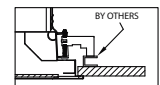
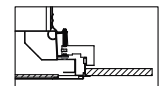
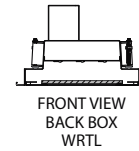
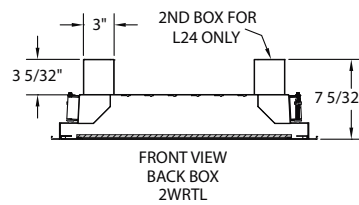
WRTL LED Recessed Wet Location Troffer

DIMENSIONS

All dimensions are in inches (centimeters) unless otherwise indicated.
Dimensions may vary with options or accessories.



Series	Length	(A) Flange Length	(B) Housing Length	(C) Tie Wire	(D) Threaded Rod
2WRTL	L48	47-3/4"	46-1/4"	1"	2-1/4"
2WRTL	L24	23-3/4"	22-1/4"	1"	2-1/4"
WRTL	L48	47-3/4"	46-1/4"	3/4"	1-1/2"



BACK BOX REFERENCE TABLE

Standard height of fixture is 4". Depending on configuration, a back box may be included which adds 3 5/32" to its height. To determine when a back box is utilized, reference the chart below.

2WRTL L24	347v	>=7000L with PS1050 option
Number of back boxes utilized	2	2

* Any lumen package less than 7000LM does not ship with a back box, as it's not required

WRTL L48	347v
Number of back boxes utilized	1

2WRTL L48	347v
Number of back boxes utilized	1

PHOTOMETRICS

See www.Acuitybrands.com

OPERATIONAL DATA

2WRTL 2 X 2					CCT	3000K		3500K		4000K		5000K	
Series	Fixture length	Lumen package	Voltage	Wattage	CRI	80CRI	90CRI	80CRI	90CRI	80CRI	90CRI	80CRI	90CRI
					Distribution	Nominal Lumens							
2WRTL	L24	3000LM	347	26	ND	2906	2543	2946	2603	3027	2644	3088	2745
			MVOLT	26									
			347	26	MD	2908	2545	2949	2605	3029	2646	3090	2747
			MVOLT	26									
		5000LM	347	43	ND	4874	4265	4942	4366	5077	4434	5178	4603
			MVOLT	41									
			347	43	MD	4877	4268	4945	4369	5081	4437	5182	4606
			MVOLT	41									
		7000LM	347	61	ND	6750	5906	6844	6047	7031	6141	7172	6375
			MVOLT	57									
			347	61	MD	6755	5911	6849	6051	7037	6145	7177	6380
			MVOLT	57									
		10000LM	347	91	ND	9635	8430	9768	8631	10036	8765	10237	9099
			MVOLT	84									
			347	91	MD	9642	8436	9776	8637	10043	8771	10244	9106
			MVOLT	84									
		12000LM	347	108	ND	11598	10148	11759	10390	12081	10551	12323	10954
			MVOLT	102									
			347	108	MD	11607	10156	141768	10398	12090	10559	12232	10962
			MVOLT	102									
		15000LM	347	136	ND	14515	12701	14717	13003	15120	13205	15422	13709
			MVOLT	133									
			347	136	MD	14526	12710	14728	13013	15131	13215	15434	13719
			MVOLT	133									
18000LM	347	145	ND	15998	13998	16220	14332	16665	14554	16998	15109		
	MVOLT	142											
	347	145	MD	16010	14009	16232	14342	16677	14565	17011	15121		
	MVOLT	142											

2WRTL 2 X 4					CCT	3000K		3500K		4000K		5000K	
Series	Fixture length	Lumen package	Voltage	Wattage	CRI	80CRI	90CRI	80CRI	90CRI	80CRI	90CRI	80CRI	90CRI
					Distribution	Nominal Lumens							
2WRTL	L48	3000LM	347	27	ND	3050	2668	3092	2732	3177	2774	3240	2880
			MVOLT	22									
			347	27	MD	3004	2628	3046	2691	3129	2733	3192	2837
			MVOLT	22									
		5000LM	347	37	ND	4905	4292	4974	4394	5110	4463	5212	4633
			MVOLT	36									
			347	37	MD	4832	4228	4899	4328	5033	4395	5134	4563
			MVOLT	36									
		7000LM	347	53	ND	6842	5987	6938	6130	7128	6225	7270	6462
			MVOLT	52									
			347	53	MD	6740	5897	6833	6037	7020	6131	7161	6365
			MVOLT	52									
		10000LM	347	81	ND	9835	8606	9972	8811	10245	8947	10450	9289
			MVOLT	76									
			347	81	MD	9687	8476	9822	8678	10091	8813	10293	9149
			MVOLT	76									
		12000LM	347	98	ND	11798	10323	11962	10569	12289	10433	12535	11142
			MVOLT	95									
			347	98	MD	11620	10168	11782	10410	12104	10571	12347	10975
			MVOLT	95									
		15000LM	347	114	ND	14696	12859	14900	13165	15308	13369	15614	13879
			MVOLT	111									
			347	114	MD	14475	12665	14676	12967	15078	13168	15379	13670
			MVOLT	111									
		18000LM	347	141	ND	17626	15423	17871	15790	18361	16035	18728	16647
			MVOLT	135									
			347	141	MD	17361	15191	17602	15553	18084	15794	18446	16397
			MVOLT	135									
		24000LM	347	189	ND	23920	20930	24252	21428	24916	21760	25415	22591
			MVOLT	182									
			347	189	MD	23560	10615	23887	21106	24541	21433	25032	22251
			MVOLT	182									
		30000LM	347	222	ND	29699	25986	30111	26605	30936	27018	31555	28049
			MVOLT	221									
			347	222	MD	29252	25595	29658	26205	30471	26611	31080	27627
			MVOLT	221									

OPERATIONAL DATA

WRTL 1 X 4					CCT	3000K		3500K		4000K		5000K			
Series	Fixture length	Lumen package	Voltage	Wattage	CRI	80CRI	90CRI	80CRI	90CRI	80CRI	90CRI	80CRI	90CRI		
					Distribution	Nominal Lumens									
WRTL	L48	3000LM	347	24	ND	N/A	N/A	N/A	N/A	N/A	N/A	N/A	N/A		
			MVOLT	24											
			347	24											
			MVOLT	24											
		5000LM	347	40	ND	N/A	N/A	N/A	N/A	N/A	N/A	N/A	N/A	N/A	
			MVOLT	41											
			347	40											
			MVOLT	41											
		7000LM	347	55	ND	N/A	N/A	N/A	N/A	N/A	N/A	N/A	N/A	N/A	
			MVOLT	59											
			347	55											
			MVOLT	59											
		10000LM	347	84	ND	N/A	N/A	N/A	N/A	N/A	N/A	N/A	N/A	N/A	
			MVOLT	81											
			347	84											
			MVOLT	81											
		12000LM	347	86	ND	N/A	N/A	N/A	N/A	N/A	N/A	N/A	N/A	N/A	
			MVOLT	96											
			347	86											
			MVOLT	96											
							MD	11825	10347	11990	10594	12318	10758	12565	11168

RRL - RELOC®-Ready Luminaire

- RRL connectors to be used with the OnePass system.
- Load side of connector factory installed to luminaire.
- 4-pole mating connector with push-in terminations allows for simple installation.
- Touch-safe design on both halves meets UL/CSA requirement.
- Wiping contact design allows safe disconnect under load.



ORDERING INFORMATION

Lead times will vary depending on options selected. Consult with your sales representative.

Example: RRLA

Series	Wiring instructions
RRL RELOC®-ready luminaire	<p>A Hot conductor wired to position #1 (phase A); non-dimming</p> <p>B Hot conductor wired to position #2 (phase B); non-dimming</p> <p>AE Hot conductor wired to position #1 (phase A), hot conductor #2 wired to position #2 (phase B); non-dimming¹</p> <p>C12S Hot conductor in position #1 (phase A), low voltage conductor #1 in position #2, low voltage conductor #2 in position #3; dimming²</p>

Compatible RELOC® Cables for Industrial Luminaires (ordered and shipped separately)

(click to view RELOC product page for more information)



Notes

- ¹ AE commercial fixtures should disconnect the TSPL before unplugging the RRL so it does not go into discharge mode. Requires fixture to have battery option.
- ² C12S option is used with the OnePass for 0-10V/DALI applications. Not for use with dimming sensors.