

A molded in strut style test switch and two flush mounted fresnel lenses add a contemporary, elegant style to the DLM-2. Its compact design, measuring only 5 inches by 12 3/8 inches, has a lightly textured, off-white finish that will blend well with a variety of architectural surfaces. No screws or other mounting hardware is visible. It can be mounted in any orientation on walls or ceilings.

**Units are CSA NRTL UL924 Listed for use in Damp Locations
UL Listed**

Complies with NEC, Life Safety Code and OSHA.

Sealed Maintenance-Free Batteries

- Lead Calcium

Standard Features

Reliability

The DLM-2 Series comes complete with a 3-year full warranty.

Unit Data

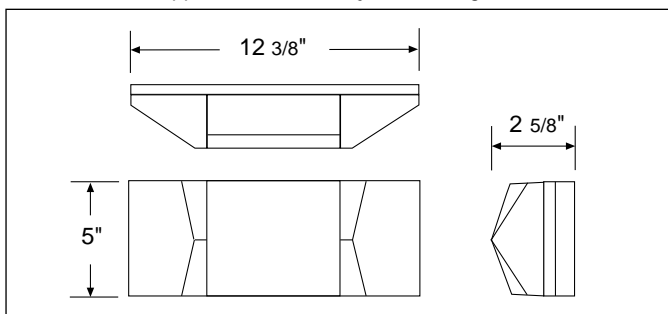
The DLM-2 is completely self-contained. Constructed of high impact, UL recognized, 94V-0 thermoplastic. 6 volt high intensity wedge based lamps supply generous amounts of emergency lighting.

Reliable Integrated Circuitry

Integrated circuitry offers a 120/277 volt dual input standard, automatic charging, instantaneous transfer, test switch, long life LED AC charge monitor light, temperature compensated charger, short-circuit proof and reverse polarity protected, Low Battery Voltage Disconnect, Brownout protection, and lockout (automatic battery connection).

Outline and Dimensions

Dimensions are approximate and subject to change.

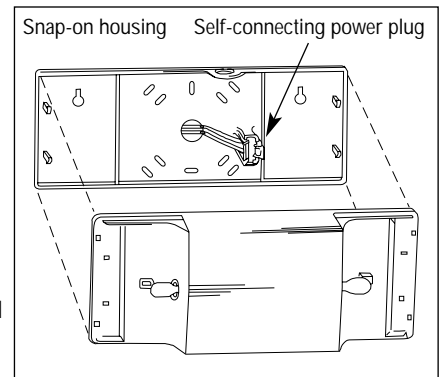


The Performance

In both mechanical and electrical performance, the DLM-2 is a superior value in its class.

Its tough thermoplastic body and flush mounted heads will not dent, peel or corrode. A vandal resistant option, model DLM-2-VR, includes special screws for added security. Snap together lens and body and self-connecting power plug make installation quick and easy.

Electrical performance is assured by a 6 volt 12 watt maintenance-free lead-calcium recombination battery and a solid state charger which includes premium features such as: Lockout, Temperature compensation and Low voltage disconnect. Selectable 120/277 volt input is standard.



How To Order

	Model #
Standard DLM-2 unit.....	DLM-2
	Add Suffix
DLM-2 unit with vandal resistant option (includes special screws for added security)	-VR
Damp Location DLM-2 unit	-DL
DLM-2 remote lighting fixtures (requires an external DC input)	
6 Volt 10.8 Total Unit Wattage	6DLM-10
6 Volt 14.4 Total Unit Wattage	6DLM-14