

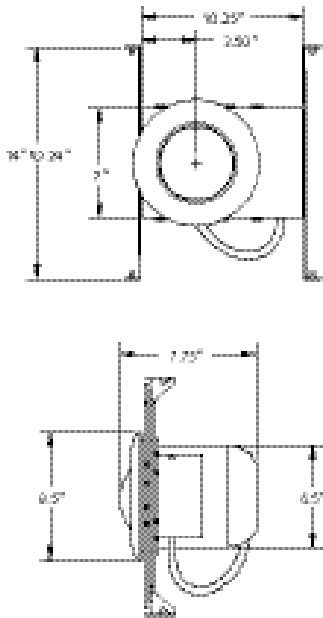
GENERAL DESCRIPTION

The RGH1 is a self-contained recessed Par 36 gimbal emergency lighting fixture. The RGH1 is ideal for commercial and institutional areas where low level or suspended ceiling installed emergency lighting is desired. The fixture's matte white trim ring and gimbal assembly blends nicely with existing recessed lighting schemes.

ILLUMINATION

Illumination is provided by a high output halogen lamp head. The RGH1 uses a 6 volt, 8 watt Par 36 sealed beam lamp. The lamp can be adjusted in two planes up to 26° for application flexibility.

DIMENSIONS



RGH1

Recessed Par 36 Adjustable Emergency 6 Volt Self-Contained Recessed Gimbal Fixture Par 36 Halogen Lamp

HOUSING

Aluminum housing and gimbal assembly with a compact, low profile design.
Housing and gimbal assembly are standard with a matte white finish.
Mounting clips provided for direct installation.
Easy recessed installation in suspended ceilings.
Trim kit included for plaster and sheetrock ceiling installation.



SHOWN: RGH1

ELECTRONICS

120/277 VAC dual voltage input with surge-protected, solid-state charging circuitry provides for a reliable charging system.
Charging system is complete with low voltage disconnect, AC lockout, brownout protection, AC indicator lamp and test switch.
All electronics are completely self-contained.

BATTERY

Maintenance free, sealed lead calcium battery
Supplies 90 minutes of emergency power
Estimated service life of 5 years
Operating temperature range of 65°F (19°C) to 85°F (30°C)

CODE COMPLIANCE

UL 924 listed
NFPA 101
NEC, BOCA and OSHA illumination standard

PERFORMANCE

Input Power Requirements
120 VAC - 0.07 amps, 8.4 watts
277 VAC - 0.04 amps, 8.8 watts
Emergency Operation
10.0 watt output capability

WARRANTY

One year full electronics warranty
One year full, four years pro-rata battery warranty

ORDERING INFORMATION



RGH1 = Recessed Gimbal
Halogen Fixture

LAMP HEAD PHOTOMETRICS

