

## DESCRIPTION

The XR Series is an efficient, rugged, commercial grade product designed for the demands of emergency lighting applications in this setting. The XR Series, in 6V and 12V models, has the extra capacity to power remote heads for added application flexibility.

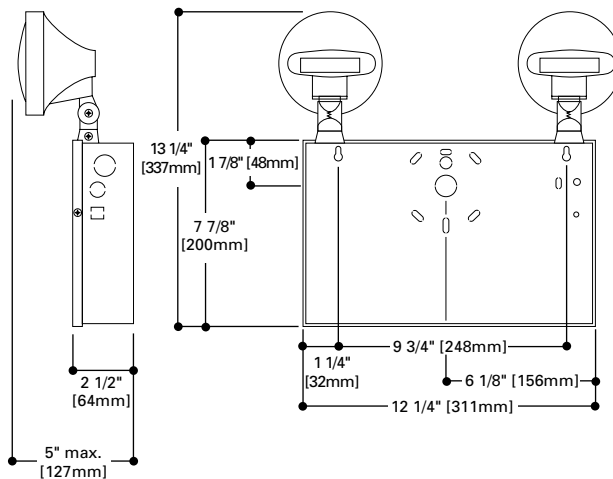
## SPECIFICATION FEATURES

- Electronic
- Dual Voltage Input 120/277 VAC, 60 Hz
- Line-latching
- Solid-state Voltage Limited Charger
- Solid-state Switching
- Low Voltage Disconnect
- Brownout Circuit
- Overload/Short Circuit Protection
- Test Switch/Power Indicator Light
- Housing Construction**
- 22 Gauge Cold Rolled Steel
- Knockout, Conduit or Cord Set
- Universal J-Box Mounting Pattern
- Keyhole Mounting Slots
- White Finish
- Battery**
- Sealed Lead Calcium, Recombination
- Maintenance Free, Long Life
- Full Recharge Time, 24 hrs. (max.)
- Polarized Battery Terminals
- Code Compliance**
- UL 924
- Life Safety NFPA 101
- CSA Certified
- NEC/OSHA
- Most State and Local Codes
- Warranty**
- Unit – 1 year
- Battery – 5 year pro-rata
- Head/Lamp Data**
- Two Heads Standard
- Top Mounted – Side Mounting Optional
- Glare-Free Lens
- Fully Adjustable
- Remote Capability
- High Impact – Thermoplastic
- Matches Housing Finish



## XR SERIES

SEALED LEAD  
CALCIUM BATTERY  
Emergency Lighting



## ELECTRICAL RATINGS

Rated Wattage to 87 1/2% of Rated D.C. Voltage

Model	DC Voltage	Rated Wattage to 87 1/2% of Rated D.C. Voltage				Lamp Information		
		1 1/2 Hours	2 Hours	3 Hours	4 Hours	Type	Wattage	Number
<b>XR-3</b>	<b>6</b>	<b>27</b>	<b>24</b>	<b>18</b>	<b>14</b>	Incandescent	<b>9</b>	<b>29-84</b>
<b>XR-5</b>	<b>6</b>	<b>27</b>	<b>24</b>	<b>18</b>	<b>14</b>	Halogen Sealed Beam	<b>6</b>	<b>29-37</b>
<b>XR-7</b>	<b>6</b>	<b>36</b>	<b>30</b>	<b>20</b>	<b>16</b>	Incandescent	<b>9</b>	<b>29-84</b>
<b>XR-9</b>	<b>6</b>	<b>54</b>	<b>48</b>	<b>36</b>	<b>28</b>	Tungsten Halogen	<b>6</b>	<b>29-12</b>
<b>XR-11</b>	<b>6</b>	<b>54</b>	<b>48</b>	<b>36</b>	<b>28</b>	Incandescent	<b>9</b>	<b>29-84</b>
<b>XR-12206</b>	<b>12</b>	<b>36</b>	<b>30</b>	<b>20</b>	<b>16</b>	Incandescent	<b>9</b>	<b>29-86</b>
<b>XR-12208</b>	<b>12</b>	<b>54</b>	<b>48</b>	<b>36</b>	<b>28</b>	Incandescent	<b>9</b>	<b>29-86</b>

TOTALLY PREDICTABLE  
**RELIABILITY**

## ENERGY DATA

XR-3, XR-5, XR-7, XR-9, XR-11

Input Current (Max.):

120V= .12A

277V= .05A

XR-12206, XR-12208

Input Current (Max.):

120V= .30A

277V= .13A

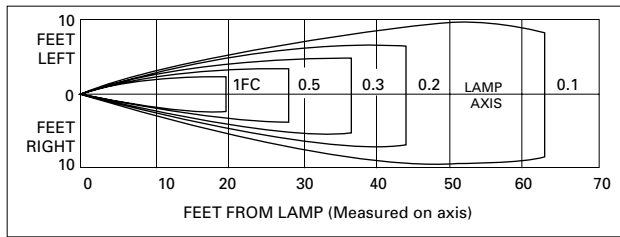
## ORDERING INFORMATION

SAMPLE NUMBER: XR-3-TDM

Model Number	Options (add as suffix)	Accessories (order separately)
XR-3	A=Ammeter	1-BR-WH=Mounting Brackets (2-White Finish)
XR-5	MH=Metal Heads	1-MS-WH=Mounting Shelf (White Finish)
XR-7	SD=Self-Diagnostics (XR-3, XR-5, XR-12206, XR-12208 only)	VK-1=Voltmeter
XR-9	TDM=Time Delay Monitor	WG-1=Wire Guard
XR-11	V=Voltmeter	CSK-120=Cord Set (120 VAC)
XR-12206	Alternate Lamps: Consult Factory	CSK-277=Cord Set (277 VAC)
XR-12208	Other Finishes: Consult Factory	VS=Choose polycarbonate vandal shield desired from accessories sheet
	Other Options: Consult Factory	

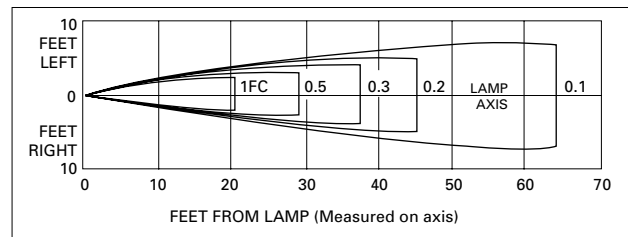
## PHOTOMETRICS

## Horizontal Distribution



Lamp No. 29-37 or 29-84 or 29-86  
 Initial Lumens – 29-37 @ 107  
 29-84 @ 132  
 29-86 @ 138

## Vertical Distribution



Lamp No. 29-37 or 29-84 or 29-86

## TECHNICAL DATA

## Heads

The lamp housing is constructed of flame-resistant and impact-resistant injection molded thermoplastic with matching finish. The three dimensional swivel assembly permits approximate aiming adjustment from 80° vertical and 358° rotation. The placement is secured with a lockable pivot mounted on a rotating base ring.

## Lamps

Designed specifically for emergency lighting applications, the PAR 36 sealed beam type design insures optimum glare-free light distribution along with horizontal and vertical adjustment by rotating the lens within the housing. Tungsten halogen lamps (XR-5, XR-9) maximize light output with lower wattage.

## Housing

The rugged 22 gauge die-formed cold rolled steel housing is finished with white corrosion-resistant polyester powder coat paint. Cabinet has keyhole mounting slots and knockouts in top, rear and side for AC/DC wiring connections and has universal mounting pattern.

## Line-Latched

Sure-Lites' line-latched electronic circuitry makes installation easy and economical. A labor efficient AC-activated load switch prevents the lamps from turning on during installation to a non-energized AC circuit. Line-latching eliminates the need for a contractor's return to a job site to connect the batteries when the building's main power is permanently turned on.

## Solid-State Charger

Supplied with a 120/277 VAC, voltage regulated solid-state charger. Immediately upon restoration of AC current after a power failure, the charger provides a high charge rate. The charge circuit reacts to the condition of the battery and alters the rate of charge in order to maintain peak battery capacity and maximize battery life. Solid-state construction recharges the battery following a power failure in accordance with UL 924.

## Overload and Short Circuit Protection

The solid-state overload monitoring device in the DC circuit disconnects the lamp load from the battery should excessive wattage demands be made and automatically resets when the overload or short circuit is removed. This overload current protective feature eliminates the need for fuses or circuit breakers for the DC load.

## Brownout Circuit

The brownout circuit in Sure-Lites' units monitors the flow of AC current to the unit and activates the emergency lighting system when a predetermined reduction of AC power occurs. This dip in voltage will cause most ballasted fixtures to extinguish causing loss of normal lighting even though a total power failure has not occurred.

## Solid-State Transfer

The unit incorporates a solid-state switching transistor which eliminates corroded and pitted contacts or mechanical failures associated with relays. The switching circuit is designed to detect a loss of AC voltage and automatically energizes the lamps. Upon restoration of the AC power, the emergency lamps will switch off and the charger will automatically recharge the battery.

## Low Voltage Disconnect

When the battery's terminal voltage falls below 80% of the rated voltage, the low voltage circuitry disconnects the lighting load. The disconnect remains in effect until normal utility power is restored, preventing deep battery discharge.

## Test Switch/Power Indicator Light

Conveniently located combination Test Switch/Power Indicator Light allows for manual verification of proper operation of the transfer circuit and emergency lamps.

## Sealed Lead Calcium Battery

The fully sealed, long life, maintenance free lead calcium battery is ideal for emergency lighting applications. These recombinant cycle batteries typically provide eight to ten years of life and may be operated in any position.

## Warranty

All Sure-Lites' units are backed by a firm one year warranty against defect in material and workmanship (excluding lamps). Maintenance free, long life, sealed lead calcium batteries carry a five-year pro-rata warranty.